



Product Catalog
 产品图册

RELIABLE 值得信赖的密封件供应商
 Seal Supplier from China

AFFORDABLE 高性价比的机械密封解决方案
 Mechanical Seal Solutions

FOR Chemical Pumps/化工泵
 Centrifugal Pumps/离心泵
 Compressors/压缩机
 Agitation Equipment/搅拌设备
 Reaction Kettles/反应釜

High-temperature Oil Pumps/高温油泵
 Clean Water Pumps/清水泵
 Circulating Pumps/循环泵
 Vacuum Pumps/真空泵
 Sewage Pumps/污水泵

Paper-making Devices/造纸
 Pressure Screens/压力筛
 Slurry Pumps.../渣浆泵等
and Bearing Isolators
 和轴承隔离器

With over 25 years of experiences in mechanical seal industry, YALAN has got 28 patents and a lot of other certificates and honors. YALAN's design department has the full ability to design custom mechanical seals according to different special requirements from our clients. Beside for being certificated with ISO 9001:2015, YALAN Seals is also one of the 200 companies in China which have the national industrial production permission for mechanical seals.



安徽亚兰密封在机械密封行业辛勤耕耘25载，产品先后获得1项发明专利和26项实用新型专利授权，荣获6项省部级“高新技术产品”认定和4项“科学技术成果”鉴定。公司获得其他各类奖项和荣誉超过20余项。

公司拥有国家质量监督检验检疫总局颁发的“全国工业产品生产许可证”，是受我国政府官方机构授权许可经营的专业机械密封设计与制造企业。在国际相关行业领域，公司生产流程和产品通过ISO9001质量管理体系认证。

FULLY CUSTOMIZABLE ACCORDING TO THE ACTUAL OPERATING CONDITIONS
CONTACT US WITH YOUR DEVICE DIMENSIONS
可为您的设备量身定制机械密封解决方案，联系我们的销售人员获取更多相关资讯。

Email: contact@yalan-seals.com
Landline: +86-551-64287402
Mobile: +86-18356957562
+86-17775378093
Fax: +86-551-64247831
Website: www.yalan-seals.com
HQ Office: 21st Floor, Lanjing International Building, City of Hefei, Anhui, China

yalan seals
MECHANICAL SEAL EXPERT

Who We Are / Where We Are - 关于亚兰密封件

WHO WE ARE 关于我们

ESTABLISHED IN 1993

69 FULL TIME WORKERS

ANNUAL REVENUE: USD 13 MILLION

公司成立于1993年

工厂有69名全职工工

年产值1300万美元

YALAN Component Co., Ltd. was founded in 1993 as a national high technology enterprise. After over 18 years of design and production experiences in seal component industry, YALAN has become a professional seal supplier that owns a full set of chain from product design and development, manufacturing, sales and after-sales support services.

With continuous innovations, YALAN has accomplished a lot of honor and awards by both national and local government. The company right now has over 15,000 square meters production facilities, 10 main production lines with 69 full time workers in the factory and an annual revenue of USD 13 million.

安徽亚兰密封件有限公司是国内一家专业从事机械密封研发、生产、销售和服务于一体的机械制造企业，成立于1993年，位于将相故里——安徽省定远县，注册资本1080万元，固定资产2600万元。现为国内三百多家大、中型企业提供密封产品和服务，先后被认定或授予“国家级高新技术企业”、“安徽省创新型企业”、“安徽省名牌产品”、“安徽省著名商标”等荣誉称号。

通过技术创新和产学研合作，公司能够生产弹簧式机械密封、釜用机械密封和金属波纹管机械密封三大系列近百种产品，在质量、性能和外观上达到国内先进水平，部分产品接近国际水平。产品广泛运用于石油、化工、电力、环保、冶金等领域，产品出口东南亚和欧美等国。2014年“亚特兰”商标被认定为安徽省“著名商标”，2016年荣获安徽省“名牌产品”称号，公司参与制订1项国家标准和2项行业标准。

NO. OF PRODUCTION LINES: 10

CERTIFICATE: ISO9001:2015

生产线数量：10条

质量管理体系认证：ISO9001:2015

Some products of YALAN have become good alternative solutions, which have the same level of quality but more affordable prices, comparing to the original seal products from famous industrial companies such as ALFA-LAVAL, Andritz, KSB, John Crane, Grundfos, Siemens, EAGLE, Flexibox, EG&G SEAL OL, Roten, Sundyne, Chesterton, Pillar and etc.

亚兰机械密封已广泛应用于不同行业领域，其中泵用机械密封占比约为公司产品的60%，大量装备于各种化工泵、清水泵、油泵、管道泵、污水泵、循环泵、真空泵、渣浆泵、螺杆泵、饮料泵等。公司也同时生产和研发用于反应釜、搅拌设备、压缩机、潜水电机、造纸设备、风机、污水处理设备等旋转设备的机械密封装置和系统。

WHERE WE ARE 办公场所

HQ OFFICE: 21ST FLOOR,

LANJING INTERNATIONAL BUILDING

CITY OF HEFEI, ANHUI

CHINA

办公总部：安徽省合肥市蓝鲸国际大厦21层

HQ Office View / 总部办公室



YALAN HQ works as a sales, support and design center for the company.

No. of Employees: 20
No. of Designers: 10

公司总部设有销售、技术支持、产品研发与设计等部门共20余人。其中工程师10人。

FACTORY: INDUSTRIAL PARK OF DINGYUAN

CITY OF CHUZHOU, ANHUI

CHINA

工厂地址：安徽省滁州市定远县定远经济开发区
东兴路19号

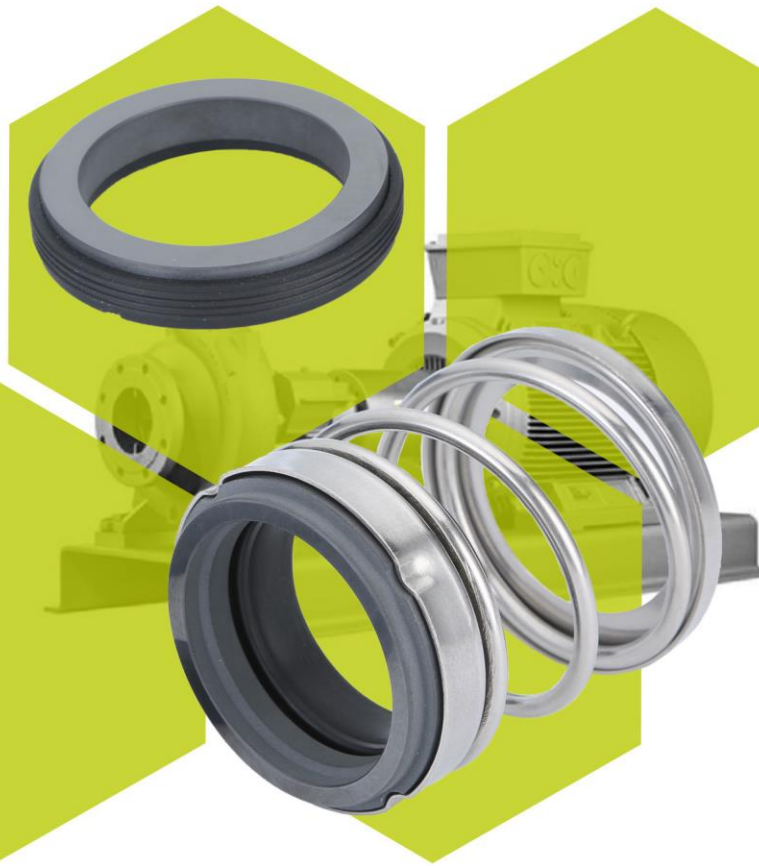


Factory View / 工厂厂区

YALAN factory production facilities are over 15,000 square metres within the industrial park of Dingyuan.

No. of Employees: 69

工厂厂区面积15000平米，位于安徽省滁州市定远经济开发区，职工人数69人。



BIA/21/43 Mechanical Seal for Clean Water Pumps, Piping Pumps and Vacuum Pumps BIA型(21型/43型)机械密封

Structural Features: single end, unbalanced, independent direction of rotation, rubber bellow, bellow transmission. This component has a compact structure with good compatibility, stability, and easy installation.

结构特点: 单端面, 非平衡型, 任意旋向, 橡胶波纹管传动。结构简单, 安装简便, 追随性好, 性能稳定, 适用范围广。

Standards: DIN24960, ISO3069, GB6556
符合标准: DIN24960, ISO3069, GB6556

Scopes of Application: widely used in oil and water circulation pumps, piping pumps, and vacuum pumps for industries such as sewage treatment and paper-making. This product can be an alternative to similar products from EG&G SEAL OL.

应用领域: 广泛应用于化工、食品、医药、污水处理、造纸等领域。可同清水泵、管道泵、真空泵、循环泵、食品机械等旋转设备配套。

Inner Diameter: 12 mm to 100 mm
规格范围: 12 mm - 100 mm

Materials

Rotary Ring Face: Carbon/SiC/TC

Stationary Ring Face: Al₂O₃/SiC/TC

Elastomers: NBR/EPDM/Viton

Springs: SS304/SS316

Metal Parts: SS304/SS316

材料

旋转环端面: 石墨/碳化硅/碳化钨

静止环端面: 氧化铝/碳化硅/碳化钨

辅助密封: 丁腈橡胶/三元乙丙胶/氟橡胶

弹簧: SS304/SS316

金属部件: SS304/SS316

Operation Parameters

Pressure: ≤ 0.8 MPa

Temperature: -20 ~ 120 °C

Linear Speed: ≤ 10 m/s

运行参数

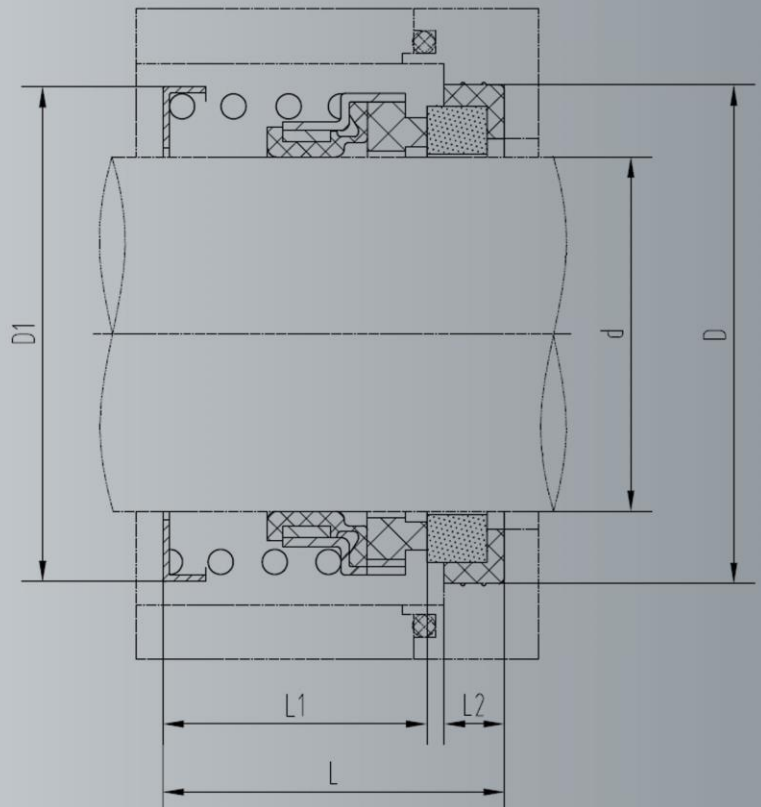
压力: ≤ 0.8 MPa

温度: -20 ~ 120 °C

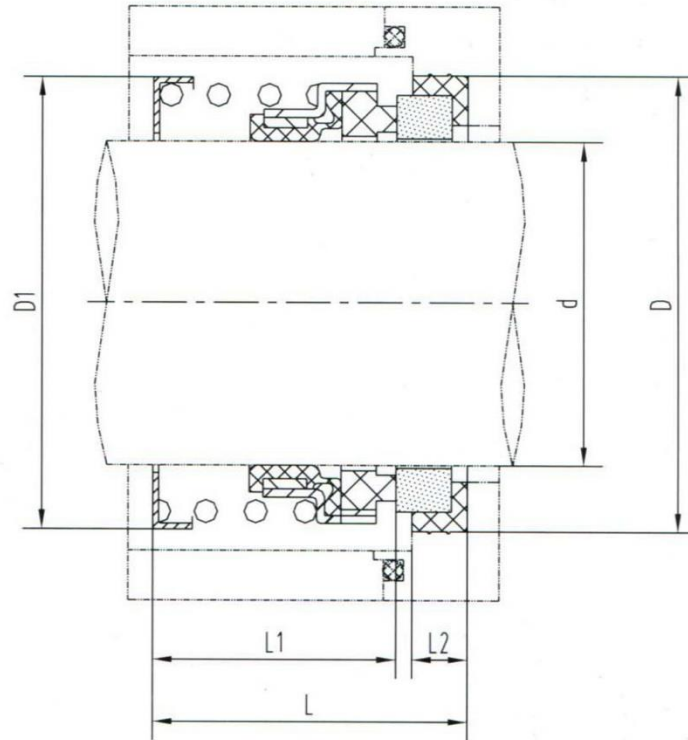
线速度: ≤ 10 m/s

Mediums: oil, water, weak acid and alkali and other corrosive mediums.

适用介质: 油类、水、弱酸、弱碱等一般腐蚀性介质。



BIA/21/43 Mechanical Seal Dimension Chart - BIA型(21型/43型)机械密封尺寸对照表



Shaft Sizes	Dimensions					
	d h6	D H8	D1	L	L1	L2
14	14	30	27.5	23.7	18.7	4.5
16	16	32	28.5	26.0	21.0	4.5
18	18	35	31.2	28.5	21.0	6.0
20	20	35	31.8	29.0	21.0	6.5
22	22	37	35.2	33.5	25.5	6.5
25	25	40	39.0	33.5	25.5	6.5
28	28	43	44.1	33.5	25.5	6.5
30	30	45	45.1	34.5	25.5	7.5
32	32	48	49.0	42.5	33.5	7.5
33	33	48	49.0	42.5	33.5	7.5
35	35	50	50.2	42.5	33.5	7.5
38	38	56	55.3	42.5	33.5	7.5
40	40	58	57.0	42.5	33.5	7.5
43	43	61	60.7	46.0	36.5	8.0
45	45	63	62.5	47.5	38.0	8.0
48	48	66	66.5	47.5	38.0	8.0
50	50	70	68.6	47.5	38.0	8.0
53	53	73	70.8	50.5	41.0	8.0
55	55	75	72.4	50.5	41.0	8.0
58	58	78	80.0	51.5	42.0	8.0
60	60	80	83.0	51.5	42.0	8.0
65	65	85	87.2	52.5	43.0	9.5
70	70	92	91.6	56.0	45.0	9.5
75	75	97	99.4	60.0	48.0	10.0
80	80	104	104.6	67.0	55.0	10.0
85	85	109	111.0	76.2	64.2	10.0
90	90	114	113.0	78.2	68.2	10.0
100	100	125	124.0	76.0	62.0	12.0



2100, AKA U4901 or INT Mechanical Seal for Vacuum Pumps, Submerged Motors, Compressors, and Decelerators 2100 (U4901/INT)型机械密封

Structural Features: single end, balanced, independent direction of rotation, rubber bellow, bellow transmission mechanical seal. This component seal has a compact structure and good compatibility and it is easy to install. The bellow and the spring provide pressure compensation to the sealing faces. The rubber bellow design can prevent radial run-out so the floatability of the rotary ring is increased.

结构特点：单端面，平衡型，任意旋向，橡胶波纹管传动。结构紧凑，兼容性较强，安装方便。波纹管与弹簧提供压力补偿使密封端面贴合更加紧密；波纹管可补偿轴的径向跳动，提高了动环的浮动性。

Standards: DIN24250, ISO3069, GB6556, EN12756
符合标准：DIN24250, ISO3069, GB6556, EN12756

Scopes of Application: mainly used in centrifugal pumps, vacuum pumps, submerged motors, compressor, agitation

equipment and decelerators for sewage treatment, chemical engineering, pharmacy, paper making and food processing. This component can work as an alternative to the similar product of John Crane.

应用领域：广泛应用于污水处理、化工、制药、造纸、食品等领域。可同污水泵、暖通泵、清水泵、管道泵、潜水电机、真空设备等旋转设备配套。

Inner Diameter: 10 mm to 100 mm
规格范围：10 mm - 100 mm

Materials

Rotary Ring Face: Carbon/SiC/TC
Stationary Ring Face: Al₂O₃/SiC/TC
Elastomers: NBR/EPDM/Viton
Springs: SS304/SS316
Metal Parts: SS304/SS316

材料

旋转环端面：石墨/碳化硅/碳化钨
静止环端面：氧化铝/碳化硅/碳化钨
辅助密封：丁腈橡胶/三元乙丙胶/氟橡胶
弹簧：SS304/SS316
金属部件：SS304/SS316

Operation Parameters

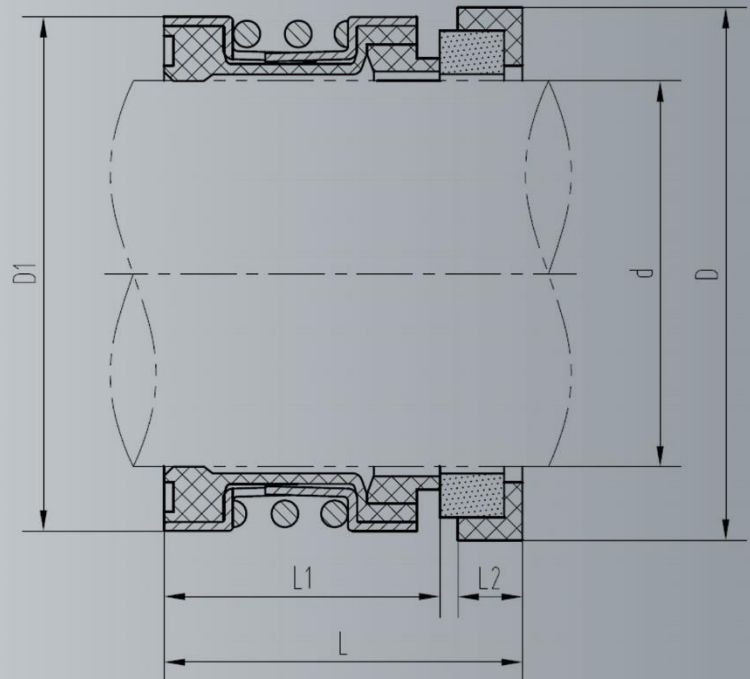
Pressure: ≤ 1.2 MPa
Temperature: -20 ~ 120 °C
Linear Speed: ≤ 10 m/s

运行参数

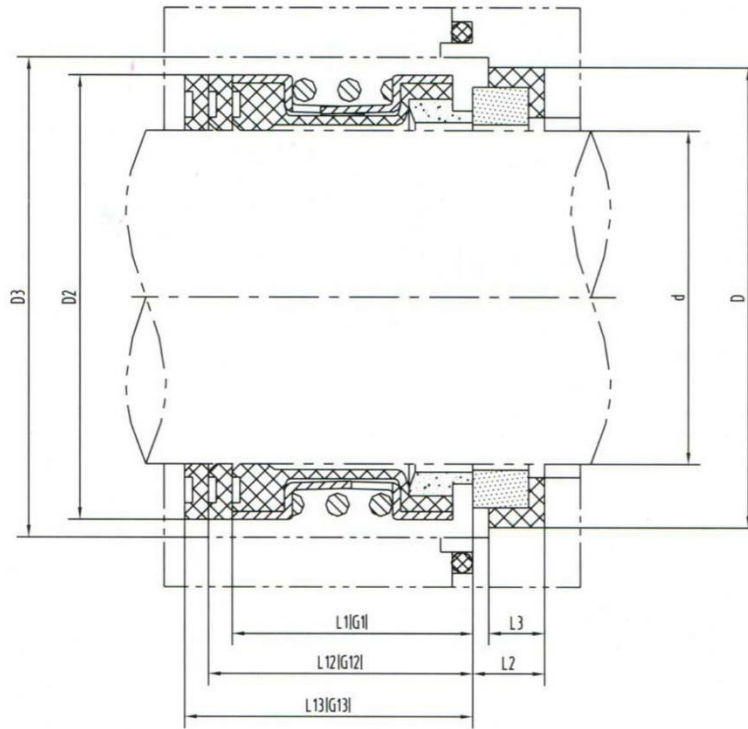
压力： ≤ 1.2 MPa
温度：-20 ~ 120 °C
线速度： ≤ 10 m/s

适用介质：油、水、污水、食品、纸浆等弱腐蚀性介质。

Mediums: oil, water, sewage, food, paper pulp and other weak-corrosion content.



2100, AKA U4901 or INT Mechanical Seal Dimension Chart
- 2100 (U4901/INT)型机械密封尺寸对照表



Dimensions	d	D	D2	D3	L1	L12	L13	L2	L3
Shaft Sizes	h6	H8			±0.5	±0.5	±0.5		
12	12	23	22	24	15	26.5	34.0	5.0	4.5
14	14	25	24	26	15	29.0	34.0	5.0	4.5
16	16	27	26	28	15	29.0	34.0	5.0	4.5
18	18	33	32	34	20	31.5	39.0	7.5	6.0
20	20	35	34	36	20	31.5	39.0	8.0	6.5
22	22	37	36	38	20	31.5	39.0	8.0	6.5
24	24	39	38	40	20	34.0	44.0	8.0	6.5
25	25	40	39	41	20	34.0	44.0	8.0	6.5
28	28	43	42	44	26	36.5	44.0	8.0	6.5
30	30	45	44	46	26	35.5	43.0	9.0	7.5
32	32	48	46	48	26	35.5	48.0	9.0	7.5
33	33	48	47	49	26	35.5	48.0	9.0	7.5
35	35	50	49	51	26	34.5	47.0	9.0	7.5
38	38	56	54	58	30	37.0	47.0	9.0	7.5
40	40	58	56	60	30	37.0	47.0	9.0	7.5
43	43	61	59	63	30	37.0	52.0	9.5	8.0
45	45	63	61	65	30	37.0	52.0	9.5	8.0
48	48	66	64	68	30	35.0	50.0	9.5	8.0
50	50	70	66	70	30	37.5	50.0	9.5	8.0
53	53	73	69	73	30	37.5	60.0	9.5	8.0
55	55	75	71	75	30	37.5	60.0	9.5	8.0
58	58	78	78	83	33	42.5	60.0	9.5	8.0
60	60	80	80	85	33	40.5	58.0	9.5	8.0
63	63	83	83	88	33	40.5	58.0	9.5	8.0
65	65	85	85	90	33	40.5	68.0	9.5	8.0
68	68	90	88	93	33	40.5	68.0	9.5	8.0
70	70	92	90	95	33	48.0	68.0	11.0	9.5
75	75	97	99	104	40	48.0	68.0	12.0	10.0
80	80	105	104	109	40	47.5	77.5	12.0	10.0
85	85	110	109	114	40	47.5	77.5	12.0	10.0
90	90	115	114	119	40	52.5	77.5	12.0	10.0
95	95	120	119	124	40	52.5	77.5	14.0	11.0
100	100	125	124	129	40	52.5	77.5	14.0	11.0

MG1, AKA U4801 Mechanical Seal for Water Pumps, Piping Motors, and Vacuum Pumps MG1 (U4801)型机械密封

Structural Features: single end, unbalanced, fixed direction of rotation, rubber bellow transmission mechanical seal. This component seal has a compact structure and good compatibility and it is easy to install. The bellow and the spring provide pressure compensation to the sealing faces. The rubber bellow design can prevent radial runout so the floatability of the rotary ring is increased.

结构特点: 单端面、非平衡型、固定旋向、橡胶波纹管传动。结构紧凑，兼容性较强，安装方便。波纹管与弹簧提供压力补偿使密封端面贴合更加紧密；波纹管可补偿轴的径向跳动，提高了动环的浮动性。

Standards: DIN24250, ISO3069, GB6556, EN12756
符合标准: DIN24250, ISO3069, GB6556, EN12756

Scopes of Application: widely used in water pumps, piping pumps, sewage pumps, immersible motors, vacuum equipment and other rotary devices for sewage treatment, city water supply, chemical engineering, pharmacy, food processing, and paper making.

应用领域: 广泛应用于污水处理、市政、供排水、化工、制药、食品、造纸等领域。可同清水泵、管道泵、污水泵、潜水电机、真空设备等旋转设备配套。

Inner Diameter: 10 mm to 110 mm
规格范围: 10 mm - 110 mm

Materials

Rotary Ring Face: Carbon/SiC/TC

Stationary Ring Face: Al₂O₃/SiC/TC

Elastomers: NBR/EPDM/Viton

Springs: SS304/SS316

Metal Parts: SS304/SS316

材料

旋转环端面: 石墨/碳化硅/碳化钨

静止环端面: 氧化铝/碳化硅/碳化钨

辅助密封: 丁腈橡胶/三元乙丙胶/氟橡胶

弹簧: SS304/SS316

金属部件: SS304/SS316

Operation Parameters

Pressure: ≤ 1.0 MPa

Temperature: -20 ~ 120 °C

Linear Speed: ≤ 10 m/s

运行参数

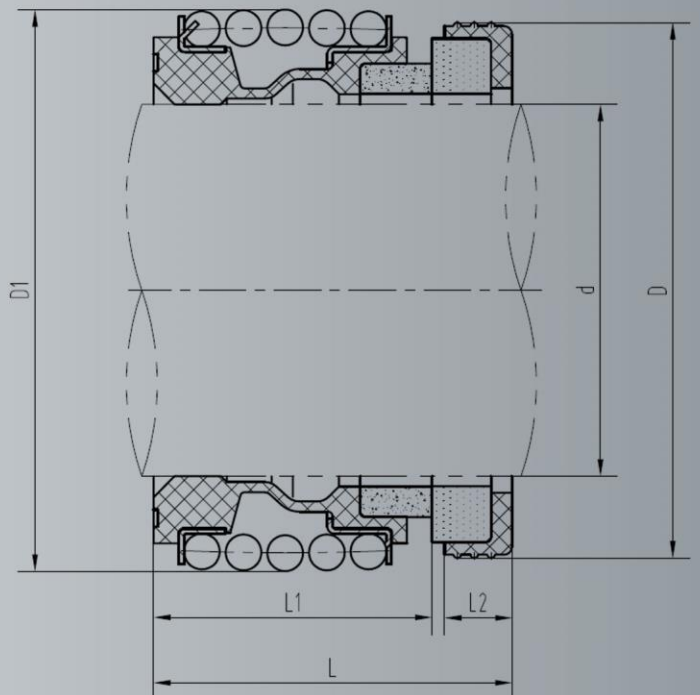
压力: ≤ 1.0 MPa

温度: -20 ~ 120 °C

线速度: ≤ 10 m/s

Mediums: oil, water, sewage, food and beverage, paper pulp and other weak-corrosion content.

适用介质: 油、水、污水、食品、纸浆等弱腐蚀性介质。





MG12 (G13) & U4801G12 (13) Mechanical Seal for Water Pumps, Submerged Motors, and Piping Pumps MG12 (G13) & U4801G12 (13)型 机械密封

Structural Features: single end, unbalanced, fixed direction of rotation, rubber bellow transmission mechanical seal. This seal component has a compact structure and good compatibility and it is easy to install. The bellow and the spring provide pressure compensation to the sealing faces. The rubber bellow design can prevent radial runout so the floatability of the rotary ring is increased.

结构特点: 单端面、非平衡型、固定旋向、橡胶波纹管传动。结构紧凑，兼容性较强，安装方便。波纹管与弹簧提供压力补偿使密封端面贴合更加紧密；波纹管可补偿轴的径向跳动，提高了动环的浮动性。

Standards: DIN24250, ISO3069, GB6556, EN12756
符合标准: DIN24250, ISO3069, GB6556, EN12756

Scopes of Application: widely used in water pumps, piping pumps, sewage pumps, immersible motors, vacuum equipment and other rotary devices for sewage treatment, city water supply, chemical engineering, phamcy, food processing, and paper making.

应用领域: 广泛应用于污水处理、市政、供排水、化工、制药、食品、造纸等领域。可同清水泵、管道泵、污水泵、潜水电机、真空设备等旋转设备配套。

Inner Diameter: 10 mm to 110 mm
规格范围: 10 mm - 110 mm

Materials

Rotary Ring Face: Carbon/SiC/TC
Stationary Ring Face: Al₂O₃/SiC/TC
Elastomers: NBR/EPDM/Viton
Springs: SS304/SS316
Metal Parts: SS304/SS316

材料

旋转环端面: 石墨/碳化硅/碳化钨
静止环端面: 氧化铝/碳化硅/碳化钨
辅助密封: 丁腈橡胶/三元乙丙胶/氟橡胶
弹簧: SS304/SS316
金属部件: SS304/SS316

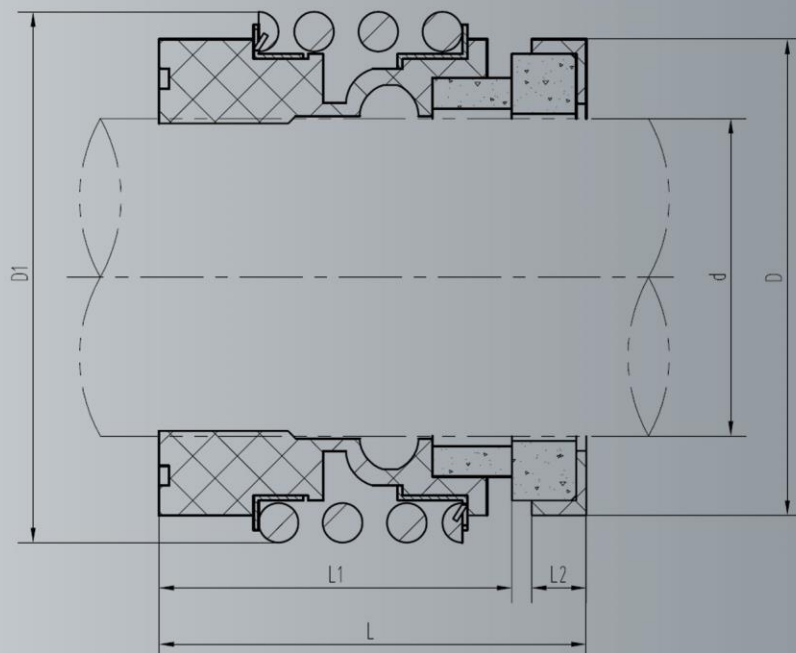
Operation Parameters

Pressure: ≤ 1.0 MPa
Temperature: -20 ~ 120 °C
Linear Speed: ≤ 10 m/s

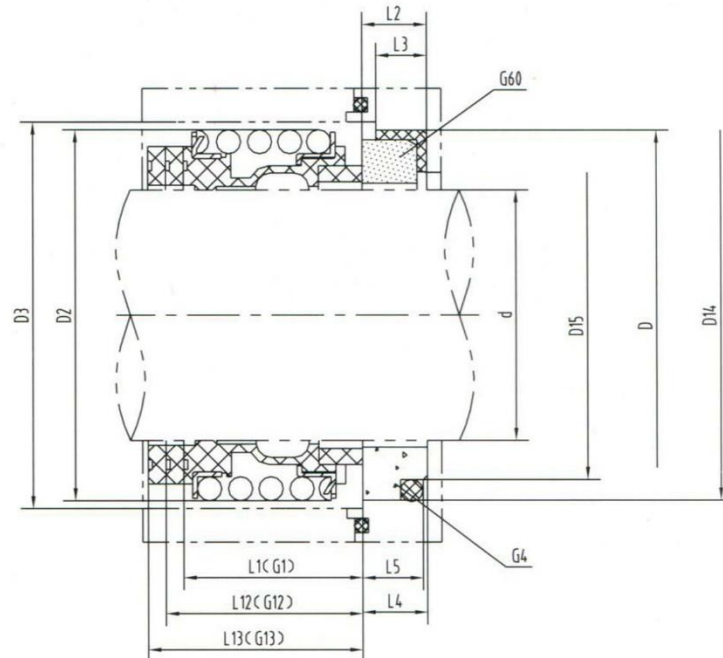
运行参数

压力: ≤ 1.0 MPa
温度: -20 ~ 120 °C
线速度: ≤ 10 m/s

Mediums: oil, water, sewage, food and beverage, paper pulp and other weak-corrosion content.
适用介质: 油、水、污水、食品、纸浆等弱腐蚀性介质。



MG1, MG12, and MG 13 Mechanical Seal Dimension Chart
- MG1, MG12, and MG 13型机械密封尺寸对照表



Dimensions	d	D	D14	D15	D2	D3	L1	L12	L13	L2	L3	L4	L5
Shaft Sizes	h6	H8	H8	H11			±0.5	±0.5	±0.5				
14	14	25	24.6	20.5	28.5	30.0	17.0	28.4	33.4	6.6	4.5	6.5	5.6
16	16	27	28.0	22.0	28.5	30.0	17.0	28.4	33.4	6.6	4.5	8.5	7.5
18	18	33	30.0	24.0	32.0	33.0	19.5	30.0	37.5	7.5	6.0	9.0	8.0
20	20	35	35.0	29.5	37.0	38.0	21.5	30.0	37.5	7.5	6.5	8.5	7.5
22	22	37	35.0	29.5	37.0	38.0	21.5	30.0	37.5	7.5	6.5	8.5	7.5
24	24	39	38.0	32.0	42.5	44.0	22.5	32.5	42.5	7.5	6.5	8.5	7.5
25	25	40	38.0	32.0	42.5	44.0	23.0	32.5	42.5	7.5	6.5	8.5	7.5
28	28	43	42.0	36.0	49.0	50.0	26.5	35.0	42.5	7.5	6.5	10.0	9.0
30	30	45	45.0	39.2	49.0	50.0	26.5	35.0	42.5	7.5	6.5	11.5	10.5
32	32	48	48.0	42.2	53.5	55.0	27.5	35.0	47.5	7.5	6.5	11.5	10.5
33	33	48	50.0	44.2	53.5	55.0	27.5	35.0	47.5	7.5	6.5	12.0	11.0
35	35	50	52.0	46.2	57.0	59.0	28.5	35.0	47.5	7.5	6.5	12.0	11.0
38	38	56	55.0	49.2	59.0	61.0	30.0	36.0	46.0	9.0	7.5	11.3	10.3
40	40	58	58.0	52.2	62.0	64.0	30.0	36.0	46.0	9.0	7.5	11.8	10.8
43	43	61	62.0	53.3	65.5	67.0	30.0	36.0	51.0	9.0	8.0	13.2	12.0
45	45	63	64.0	55.3	68.0	70.0	30.0	36.0	51.0	9.0	8.0	12.8	11.6
48	48	66	68.4	59.7	70.5	74.0	30.5	36.0	51.0	9.0	8.0	12.8	11.6
50	50	70	69.3	60.8	74.0	77.0	30.5	38.0	50.5	9.5	8.0	12.8	11.6
53	53	73	72.3	63.8	78.5	81.0	33.0	36.5	59.0	11.0	8.0	13.5	12.3
55	55	75	75.4	66.5	81.0	83.0	35.0	36.5	59.0	11.0	8.0	14.5	13.3
58	58	78	78.4	69.5	85.5	88.0	37.0	41.5	59.0	11.0	8.0	14.5	13.3
60	60	80	80.4	71.5	88.5	91.0	38.0	41.5	59.0	11.0	8.0	14.5	13.3
65	65	85	85.4	76.5	93.5	96.0	40.0	41.5	69.0	11.0	8.0	14.2	13.0
70	70	92	92.0	83.0	99.5	103.0	40.0	48.7	68.7	11.3	9.5	14.2	13.0
75	75	97	99.0	90.2	107.0	110.0	40.0	48.7	68.7	11.3	9.5	15.2	14.0
80	80	105	104.0	95.2	112.0	116.0	40.0	48.0	78.0	12.0	10.0	16.2	15.0
85	85	110	109.0	100.2	120.0	124.0	41.0	46.0	76.0	14.0	10.0	16.0	14.8
90	90	115	114.0	105.2	127.0	131.0	45.0	51.0	76.0	14.0	10.0	16.0	14.8
95	95	120	120.3	111.6	132.0	136.0	46.0	51.0	76.0	14.0	11.0	17.0	15.8
100	100	125	123.3	114.5	137.0	141.0	47.0	51.0	76.0	14.0	11.0	17.0	15.8

YL MG9 Mechanical Seal for Clean Water Pumps, Circulating Pumps and Vacuum Pumps YL MG9型机械密封

Structural Features: single end, unbalanced, independent direction of rotation, rubber bellow transmission. This component has a compact structure with good compatibility and easy installation. The bellow and the spring provide pressure compensation to the sealing faces. The rubber bellow design can prevent radial runout so the floatability of the rotary ring is increased.

结构特点: 单端面、非平衡型、任意旋向、橡胶波纹管传动。结构紧凑，兼容性较强，安装方便。波纹管与弹簧提供压力补偿使密封端面贴合更加紧密；波纹管可补偿轴的径向跳动，提高了动环的浮动性。

Standards: DIN24250, ISO3069, GB6556, EN12756
符合标准: DIN24250, ISO3069, GB6556, EN12756

Scopes of Application: widely used in centrifugal pumps, piping pumps, sewage pumps, immersible motors, piping pumps, screw pumps, vacuum equipment and other rotary devices for sewage treatment, city water supply, chemical engineering, pharmacy, food processing, and paper making.
应用领域: 广泛应用于污水处理、市政、供排水、化工、制药、食品、造纸等领域。可同清水泵、管道泵、螺杆泵、污水泵、潜水电机、真空设备等旋转设备配套。

Inner Diameter: 10 mm to 100 mm
规格范围: 10 mm - 100 mm

Materials

Rotary Ring Face: Carbon/SiC/TC
Stationary Ring Face: Al₂O₃/SiC/TC
Elastomers: NBR/EPDM/Viton
Springs: SS304/SS316
Metal Parts: SS304/SS316

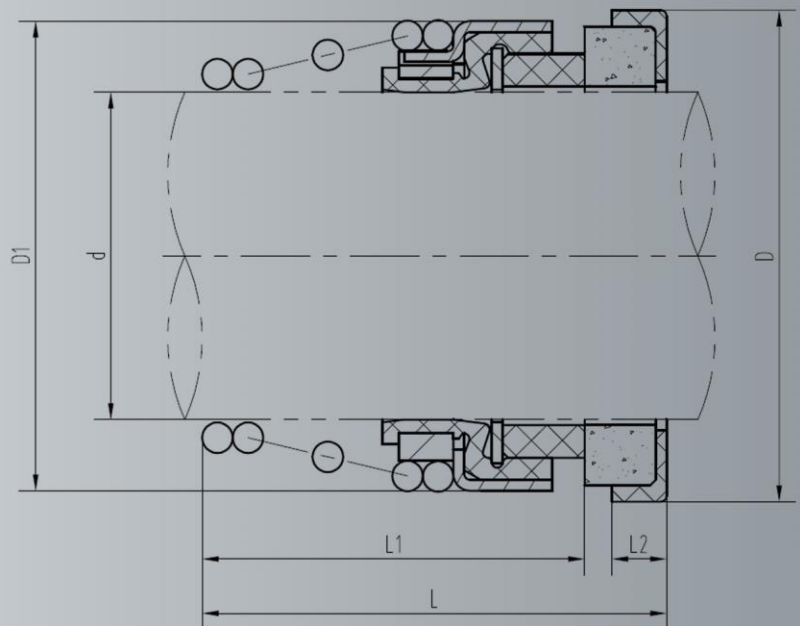
材料

旋转环端面：石墨/碳化硅/碳化钨
静止环端面：氧化铝/碳化硅/碳化钨
辅助密封：丁腈橡胶/三元乙丙胶/氟橡胶
弹簧：SS304/SS316
金属部件：SS304/SS316

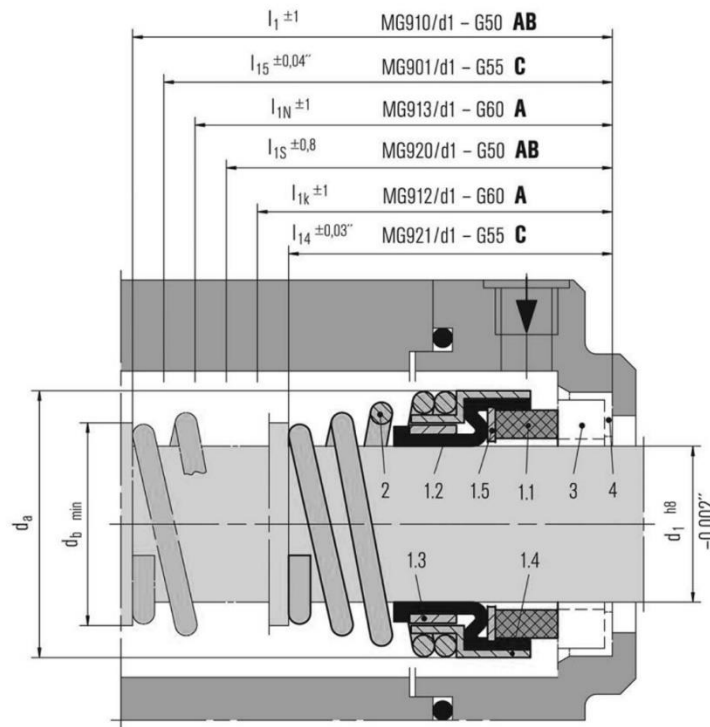
Operation Parameters

Pressure: ≤ 0.8 MPa
Temperature: -20 ~ 90 °C
Linear Speed: ≤ 10 m/s
运行参数
压力：≤ 0.8 MPa
温度：-20 ~ 90 °C
线速度：≤ 10 m/s

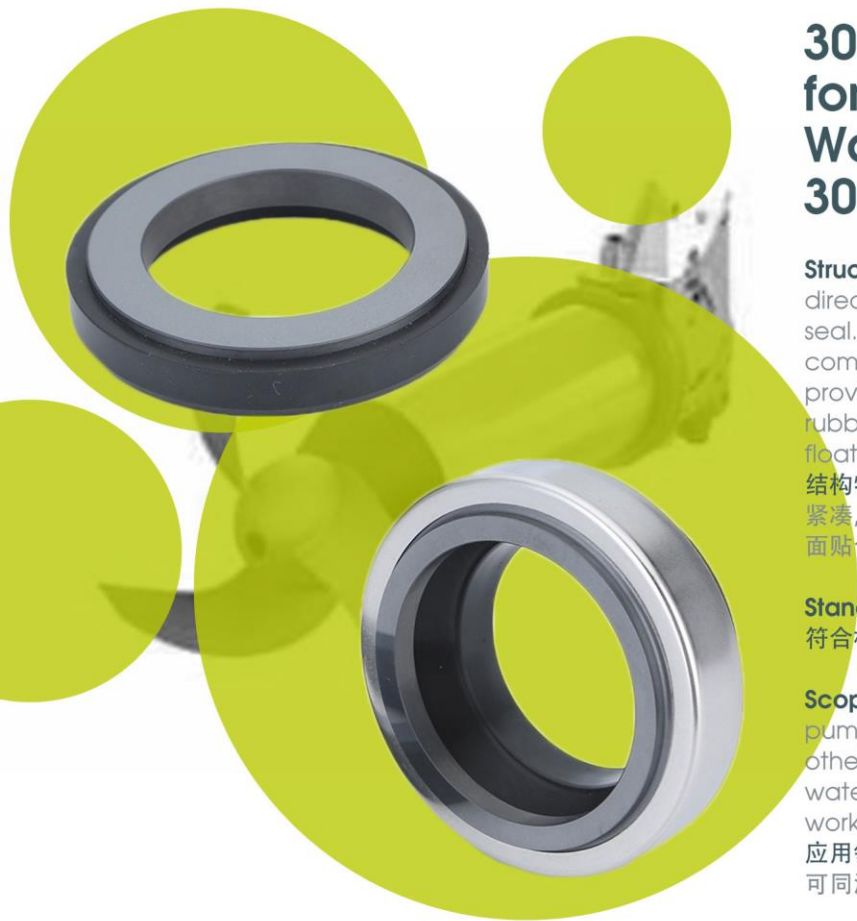
Mediums: oil, water, sewage, food and beverage, paper pulp and other weak-corrosion content.
适用介质: 油、水、污水、食品、纸浆等弱腐蚀性介质。



YL MG9 Mechanical Seal Dimension Chart - YL MG9型机械密封尺寸对照表



d1	d6	d7	d14	d16	da	db	l1	l1k	l1N	l1S	l5	l6	l17	l28	l29
10	17	21	11.0	24.60	19.6	13.0	53.0	32.5	40	34.0	1.5	4	7.5	6.6	9.0
12	19	23	13.5	27.80	21.6	15.0	53.0	32.5	40	34.0	1.5	4	7.5	6.6	9.0
14	21	25	17.0	30.95	24.0	18.0	54.5	35.0	40	35.5	1.5	4	9.0	6.6	10.5
15	-	-	17.0	30.95	25.0	19.0	54.5	-	-	35.5	-	-	9.0	-	10.5
16	23	27	17.0	30.95	26.5	20.0	54.5	35.0	40	35.5	1.5	4	9.0	6.6	10.5
18	27	33	20.0	34.15	29.0	22.0	54.5	37.5	45	35.5	2.0	5	9.0	7.5	10.5
20	29	35	21.5	35.70	31.5	24.5	54.5	37.5	45	35.5	2.0	5	9.0	7.5	10.5
22	31	37	23.0	37.30	33.0	27.0	54.5	37.5	45	35.5	2.0	5	9.0	7.5	10.5
24	33	39	26.5	40.50	37.0	29.0	54.5	40.0	50	35.5	2.0	5	9.0	7.5	10.5
25	34	40	26.5	40.50	38.0	30.0	54.5	40.0	50	35.5	2.0	5	9.0	7.5	10.5
28	37	43	29.5	47.65	41.0	34.0	72.0	42.5	50	45.0	2.0	5	10.5	7.5	12.0
30	39	45	32.5	50.80	43.0	36.0	72.0	42.5	50	45.0	2.0	5	10.5	7.5	12.0
32	42	48	32.5	50.80	45.0	38.0	72.0	42.5	55	45.0	2.0	5	10.5	7.5	12.0
33	42	48	36.5	54.00	46.0	39.0	72.0	42.5	55	45.0	2.0	5	10.5	7.5	12.0
35	44	50	36.5	54.00	48.0	41.0	72.0	42.5	55	45.0	2.0	5	10.5	7.5	12.0
38	49	56	39.5	57.15	52.5	44.5	72.0	45.0	55	45.0	2.0	6	10.5	9.0	12.0
40	51	58	42.5	60.35	55.5	47.5	72.0	45.0	55	45.0	2.0	6	10.5	9.0	12.0
43	54	61	46.0	63.50	58.5	50.5	83.0	45.0	60	53.0	2.0	6	10.5	9.0	12.0
45	56	63	46.0	63.50	60.5	52.5	83.0	45.0	60	53.0	2.0	6	10.5	9.0	12.0
48	59	66	49.0	66.70	64.0	56.0	83.0	45.0	60	53.0	2.0	6	10.5	9.0	12.0
50	62	70	52.0	69.85	66.0	58.0	84.5	47.5	60	54.5	2.5	6	12.0	9.5	13.5
53	65	73	55.5	73.05	69.0	61.0	84.5	47.5	70	54.5	2.5	6	12.0	11.0	13.5
55	67	75	58.5	76.20	71.0	63.0	84.5	47.5	70	54.5	2.5	6	12.0	11.0	13.5
58	70	78	61.5	79.40	76.0	66.0	84.5	52.5	70	54.5	2.5	6	12.0	11.0	13.5
60	72	80	61.5	79.40	78.0	68.0	84.5	52.5	70	54.5	2.5	6	12.0	11.0	13.5
63	75	83	65.0	82.55	82.0	71.5	84.5	52.5	70	54.5	2.5	6	12.0	11.0	13.5
65	77	85	68.0	82.10	84.0	73.5	86.0	52.5	80	65.0	2.5	6	14.5	11.0	16.0
68	81	90	71.0	95.25	87.0	76.5	86.0	52.5	80	65.0	2.5	7	14.5	11.3	16.0
70	83	92	71.0	95.25	89.0	79.0	86.0	60.0	80	65.0	2.5	7	14.5	11.3	16.0
75	88	97	77.5	101.60	95.0	85.0	89.0	60.0	80	68.0	2.5	7	14.5	11.3	16.0
80	95	105	84.0	114.30	101.5	91.5	99.0	60.0	90	76.0	3.0	7	18.5	12.0	20.0
85	100	110	87.0	117.50	107.0	97.0	99.0	60.0	90	76.0	3.0	7	18.5	14.0	20.0
90	105	115	93.5	123.85	111.5	103.0	103.0	65.0	90	79.0	3.0	7	18.5	14.0	20.0
95	110	120	96.5	127.00	117.5	108.0	103.0	65.0	90	79.0	3.0	7	18.5	14.0	20.0
100	115	125	103.0	133.35	122.5	114.0	106.0	65.0	90	82.0	3.0	7	18.5	14.0	20.0



301 (BT-AR) Mechanical Seal for Piping Pumps and Clean Water Pumps

301 (BT-AR)型机械密封

Structural Features: single end, unbalanced, independent direction of rotation, rubber bellow transmission mechanical seal. This component seal has a compact structure and good compatibility and it is easy to install. The bellow and the spring provide pressure compensation to the sealing faces. The rubber bellow design can prevent radial runout so the floatability of the rotary ring is increased.

结构特点: 单端面、非平衡型、任意旋向、橡胶波纹管传动。结构紧凑，兼容性较强，安装方便。波纹管与弹簧提供压力补偿使密封端面贴合更加紧密；波纹管可补偿轴的径向跳动，提高了动环的浮动性。

Standards: DIN24250
符合标准: DIN24250

Scopes of Application: designed for water pumps, piping pumps, submerged agitators, temperature control pumps and other rotary devices for sewage treatment, food processing, water supply and other civilian usages. This component can work as an alternative to Burgmann BT-AR.

应用领域: 广泛应用于污水处理、食品、供排水等民用领域。可同清水泵、管道泵、潜水搅拌机、温控泵等旋转设备配套。

Inner Diameter: 6 mm to 60 mm
规格范围: 6 mm to 60 mm

Materials

Rotary Ring Face: Carbon/SiC/TC
Stationary Ring Face: Al₂O₃/SiC/TC
Elastomers: NBR/Viton/EPDM
Springs: SS304/SS316
Metal Parts: SS304/SS316

材料

旋转环端面: 石墨/碳化硅/碳化钨
静止环端面: 氧化铝/碳化硅/碳化钨
辅助密封: 丁腈橡胶/氟橡胶/三元乙丙橡胶
弹簧: SS304/SS316
金属部件: SS304/SS316

Operation Parameters

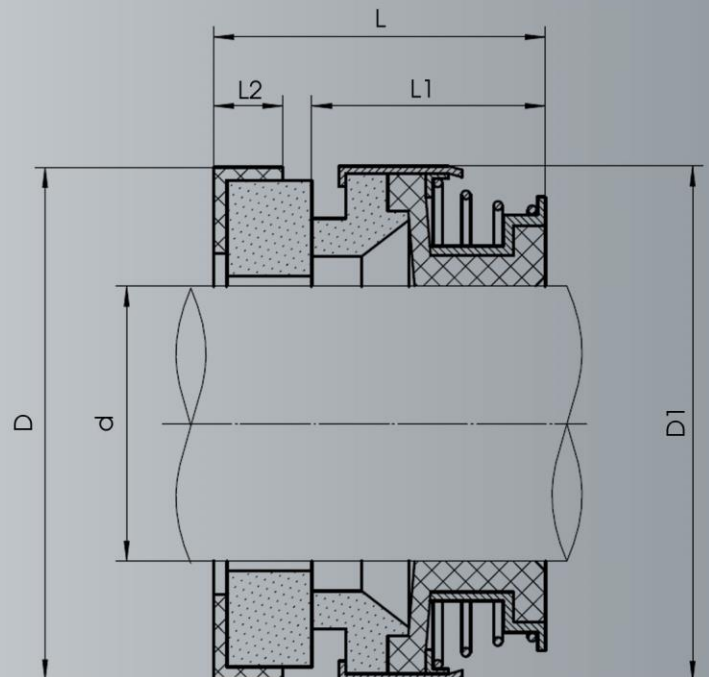
Pressure: ≤ 0.6 MPa
Temperature: -20 ~ 100 °C
Linear Speed: ≤ 10 m/s

运行参数

压力: ≤ 0.6 MPa
温度: -20 ~ 100 °C
线速度: ≤ 10 m/s

Mediums: oil, water, and week corrosive mediums.

适用介质: 水、油和弱腐蚀性介质。





104 Mechanical Seal for Chemical Centrifugal Pumps, Screw Pumps, and Sewage Pumps 104型机械密封

Structural Features: single end, single spring, unbalanced, independent direction of rotation, lug transmission. This component has chemical resistance, a simple structure and high reliability.

结构特点: 单端面, 单弹簧, 非平衡型, 凸耳传动。结构简单, 适用范围广, 性能稳定, 耐腐蚀能力强, 寿命长。

Standards: JB/T1472
符合标准: JB/T1472

Scopes of Application: designed for chemical pumps, screw pumps, oil pumps, and paper making equipment, mainly used in oil refining, chemical engineering, chemical product transportation, water treatment, chemical fiber and other industries.

应用领域: 广泛应用于石油、化工、化工运输、水处理, 化纤等行业。可同化工泵、螺杆泵、油泵、造纸设备等旋转设备配套。

Inner Diameter: 16 mm to 120 mm
规格范围: 16 mm - 120 mm

Materials

Rotary Ring Face: SiC/TC
Stationary Ring Face: Carbon/SiC/TC
Elastomers: NBR/EPDM/Viton/PTFE
Springs: SS304/SS316
Metal Parts: SS304/SS316/SS316L

材料

旋转环端面: 碳化硅/碳化钨
静止环端面: 石墨/碳化硅/碳化钨
辅助密封: 丁腈橡胶/三元乙丙胶/氟橡胶/聚四氟乙烯
弹簧: SS304/SS316
金属部件: 410S/SS304/SS316/SS316L

Operation Parameters

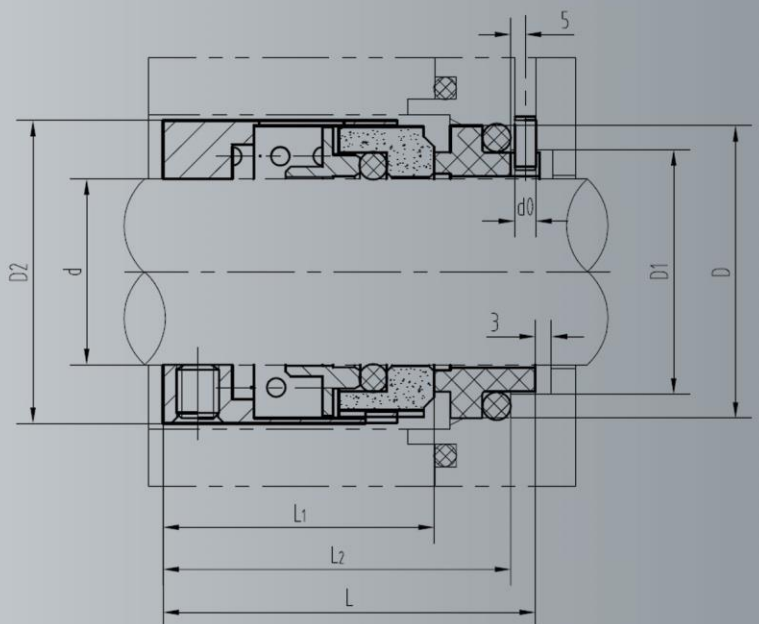
Pressure: ≤ 0.8 MPa
Temperature: $-20 \sim 150$ °C
Linear Speed: ≤ 15 m/s

运行参数

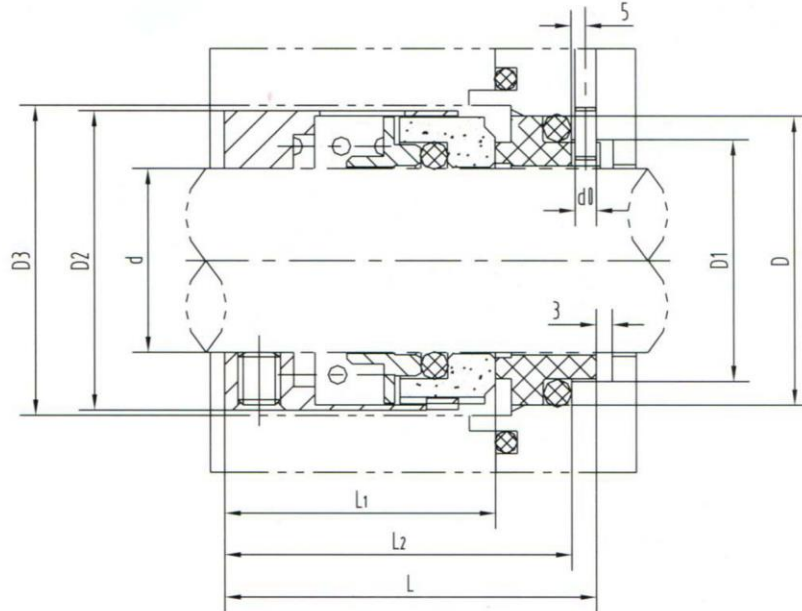
压力: ≤ 0.8 MPa
温度: $-20 \sim 150$ °C
线速度: ≤ 15 m/s

Mediums: oil, water, amorphism acid, alkali, salt, and organic solvents.

适用介质: 水、油、非结晶性酸、碱、盐、有机溶剂等。



104 Mechanical Seal Dimension Chart - 104型机械密封尺寸对照表



Dimensions	d	D	D1	D2	D3	L	L1	L2	d0
Shaft Sizes	h6	H8	H11						
16	16	33	25.5	33	36	53	37	49	3
18	18	36	28.5	35	38	56	40	52	3
20	20	40	30.5	37	40	59	40	54	3
22	22	42	32.5	39	42	62	43	57	3
25	25	45	35.5	42	45	62	43	57	3
28	28	48	38.5	45	48	63	44	58	3
30	30	50	40.5	52	55	68	49	63	3
35	35	55	45.5	57	60	70	51	65	3
40	40	60	50.5	62	65	73	54	68	4
45	45	65	55.5	67	70	79	60	74	4
50	50	70	60.5	72	75	82	63	77	4
55	55	75	65.5	77	80	84	65	79	4
60	60	80	70.5	82	85	84	65	79	4
65	65	90	80.5	92	95	96	74	91	4
70	70	97	85.5	97	100	101	76	95	4
75	75	102	90.5	102	105	101	76	95	4
80	80	107	95.5	107	110	106	81	100	4
85	85	112	100.5	112	115	107	82	101	4
90	90	117	105.5	117	120	108	83	102	4
95	95	122	110.5	122	125	108	83	102	4
100	100	127	115.5	127	130	108	83	102	4
110	110	142	130.5	141	145	132	105	126	5
120	120	152	140.5	151	155	132	105	126	5





527 Mechanical Seals for Chemical Pumps, Water Pumps and Vacuum Pumps 527型机械密封

Structural Features: single end, multi springs, unbalanced, independent rotary direction, lug transmission. The transmission is simple and reliable. This seal component has a simple structure with wide applications and is stable with great performance.
结构特点: 单端面, 多弹簧, 非平衡型, 任意旋向, 耳传动。结构简单, 适用范围广, 性能稳定可靠, 通用性强。

Standards: ISO3069, GB6556, DIN24960
符合标准: ISO3069, GB6556, DIN24960

Scopes of Application: oil industry, chemical engineering, chemical fiber, chemical liquid transportation and water treatment. Specifically designed for chemical pumps, water pumps, vacuum pumps, piping pumps and other rotary devices.

应用领域: 广泛应用于石油、化工、化工运输、水处理、化纤等领域。可同化工泵、清水泵、真空泵、管道泵等旋转设备配套。

Inner Diameter: 18 mm to 120 mm
规格范围: 18 - 120 mm

Materials

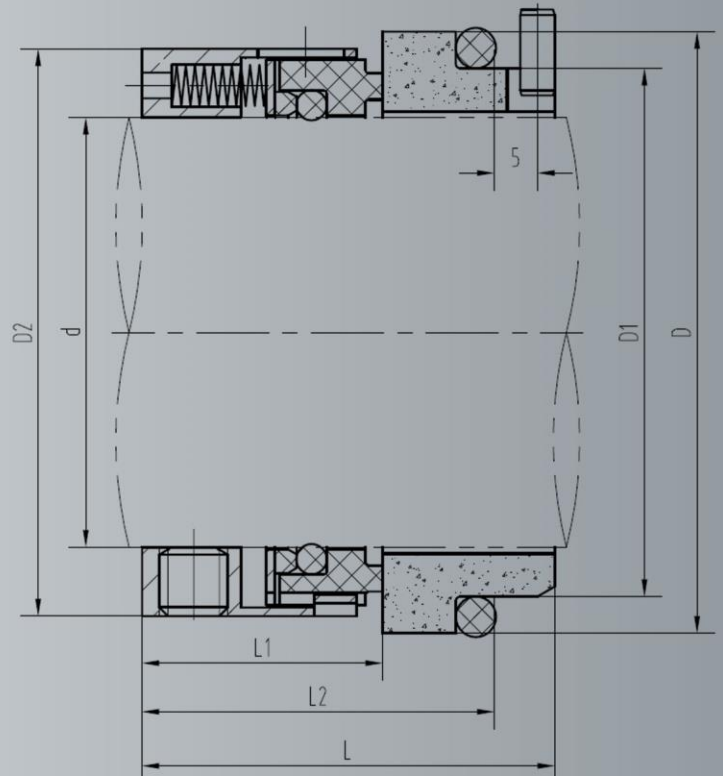
Rotary Ring Face: Carbon/SiC/TC
Stationary Ring Face: Al₂O₃/SiC/TC
Elastomers: NBR/EPDM/Viton/Aflas/PTFE/FFKM
Springs: SS304/SS316/HC-276
Metal Parts: 410S/SS304/SS316/SS316L/Hastelloy

材料
旋转环端面: 石墨/碳化硅/碳化钨
静止环端面: 氧化铝/碳化硅/碳化钨
辅助密封: 丁腈橡胶/三元乙丙胶/氟橡胶/Aflas/聚四氟乙烯/全氟醚橡胶
弹簧: SS304/SS316/HC-276
金属部件: 410S/SS304/SS316/SS316L/哈氏合金

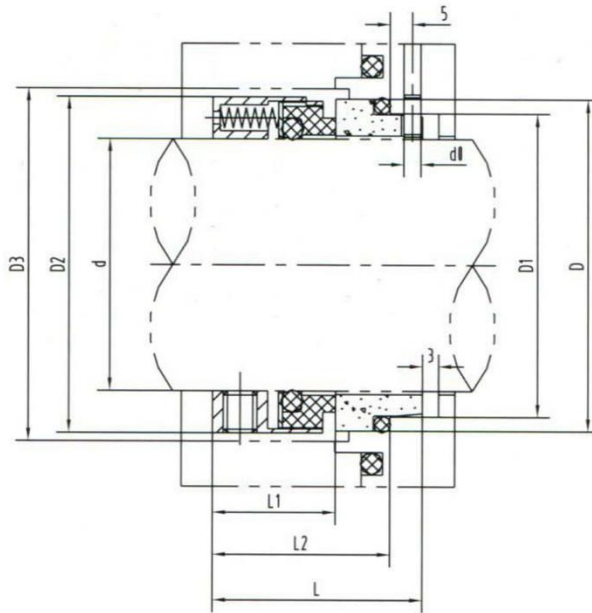
Operation Parameters

Pressure: ≤ 0.8 MPa
Temperature: - 20 ~ 150 °C
Linear Speed: ≤ 15 m/s
运行参数
压力: ≤ 0.8 MPa
温度: - 20 ~ 150 °C
线速度: ≤ 15 m/s

Mediums: oil, water, amorphism acid, alkali, salt, and organic solvents.
适用介质: 水、油、非结晶性酸、碱、盐有机溶剂等。



527 Mechanical Seal Dimension Chart - 527型机械密封尺寸对照表



Shaft Sizes	Dimensions								
	d	D	D1	D2	D3	L	L1	L2	d0
18	18	33	27	32	34	38	21.0	31	3
20	20	35	29	34	36	38	21.0	31	3
22	22	37	31	36	38	38	21.0	31	3
24	24	39	33	38	40	41	24.0	34	3
25	25	40	34	39	41	41	24.0	34	3
28	28	43	37	42	44	41	24.0	34	3
30	30	45	39	44	46	42	25.0	35	3
32	32	48	42	46	48	42	25.0	35	3
33	33	48	42	47	49	42	25.0	35	3
35	35	50	44	49	51	42	25.0	35	3
38	38	56	49	54	58	46	28.0	39	4
40	40	58	51	56	60	46	28.0	39	4
43	43	61	54	59	63	46	28.0	39	4
45	45	63	56	61	65	46	28.0	39	4
48	48	66	59	64	68	46	28.0	39	4
50	50	70	62	66	70	48	28.0	41	4
53	53	73	65	69	73	48	28.0	41	4
55	55	75	67	71	75	48	28.0	41	4
58	58	78	70	78	83	49	29.0	42	4
60	60	80	72	80	85	49	29.0	42	4
63	63	83	75	83	88	52	32.0	45	4
65	65	85	77	85	90	52	32.0	45	4
68	68	90	81	88	93	55	32.7	48	4
70	70	92	83	90	95	55	32.7	48	4
75	75	97	88	99	104	59	36.7	52	4
80	80	105	95	104	109	59	36.3	52	4
85	85	110	100	109	114	59	36.3	52	4
90	90	115	105	114	119	62	39.3	55	4
95	95	120	110	119	124	62	39.3	55	4
100	100	125	115	124	129	62	39.3	55	4
105	105	130	120	133	139	77	47.0	67	5
110	110	136	125	138	144	77	47.0	67	5
115	115	141	130	143	149	77	47.0	67	5
120	120	146	135	148	154	77	47.0	67	5
125	125	152	141	153	159	77	47.0	67	5
130	130	158	146	159	165	77	47.0	67	5
135	135	163	151	164	170	77	47.0	67	5
140	140	173	161	172	180	77	47.0	67	5
145	145	178	166	177	185	77	47.0	67	5
150	150	183	171	182	190	79	47.0	69	5
155	155	188	176	187	195	90	56.0	80	5
160	160	193	181	193	200	90	56.0	80	5
165	165	198	186	198	205	90	56.0	80	5
170	170	203	191	207	215	90	56.0	80	5
175	175	213	201	212	220	90	56.0	80	5
180	180	218	206	217	225	94	56.0	84	5
185	185	223	211	222	230	94	56.0	84	5
190	190	228	216	227	235	94	56.0	84	5
195	195	233	221	232	240	94	56.0	84	5
200	200	238	226	240	250	94	56.0	84	5



M3 Mechanical Seal for Clean Water Pumps, Circulating Pumps and Vacuum Pumps M3型机械密封

Structural Features: single end, unbalanced, conical spring, dependent direction of rotation, spring transmission. This seal component has a simple structure, high compatibility and stable performance with great spring compensation.
结构特点: 单端面, 锥型弹簧, 非平衡型, 旋向固定, 弹簧传动。结构简单, 适用范围广, 性能稳定, 弹簧补偿范围大。

Standards: ISO3069, GB6556, DIN24960
符合标准: ISO3069, GB6556, DIN24960

Scopes of Application: widely used in chemical centrifugal pumps, clean water pumps, sewage pumps, temperature control pumps, submerged pumps, and heat-transfer oil pumps. Mainly used in oil refining, chemical engineering, chemical product transportation, water treatment and chemical fiber industry. This product can be an alternative to similar products from EG&G SEAL OL, Flexibox and Roten.
应用领域: 广泛应用于石油、化工、化工运输、水处理, 化纤等领域。可同化工泵、清水泵、污水泵、双吸泵、潜水泵、管道泵等旋转设备配套。

Inner Diameter: 8 mm to 100 mm
规格范围: 8 mm - 100 mm

Materials

Rotary Ring Face: Carbon/SiC/TC
Stationary Ring Face: Carbon/SiC/TC
Elastomers: NBR/Viton/EPDM/PTFE/FFKM
Springs: SS304/SS316
Metal Parts: 410S/SS304/SS316/SS316L

材料

旋转环端面: 石墨/碳化硅/碳化钨
静止环端面: 石墨/碳化硅/碳化钨
辅助密封: 丁腈橡胶/氟橡胶/三元乙丙橡胶/聚四氟乙烯/全氟醚橡胶
弹簧: SS304/SS316
金属部件: 410S/SS304/SS316/SS316L

Operation Parameters

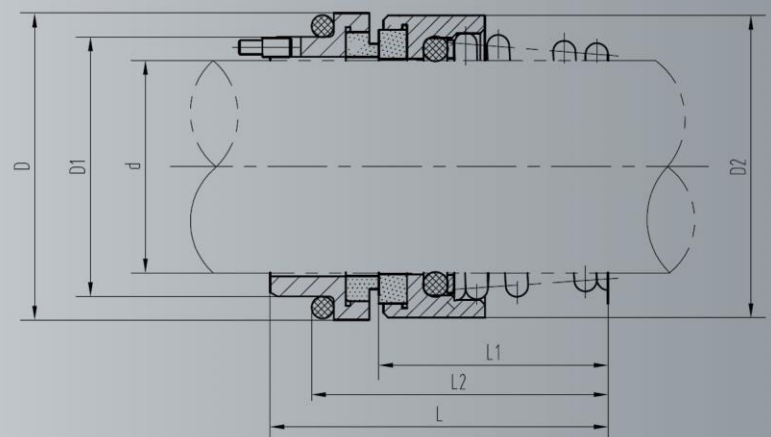
Pressure: ≤ 1.0 MPa
Temperature: $-20 \sim 180$ °C
Linear Speed: ≤ 10 m/s

运行参数

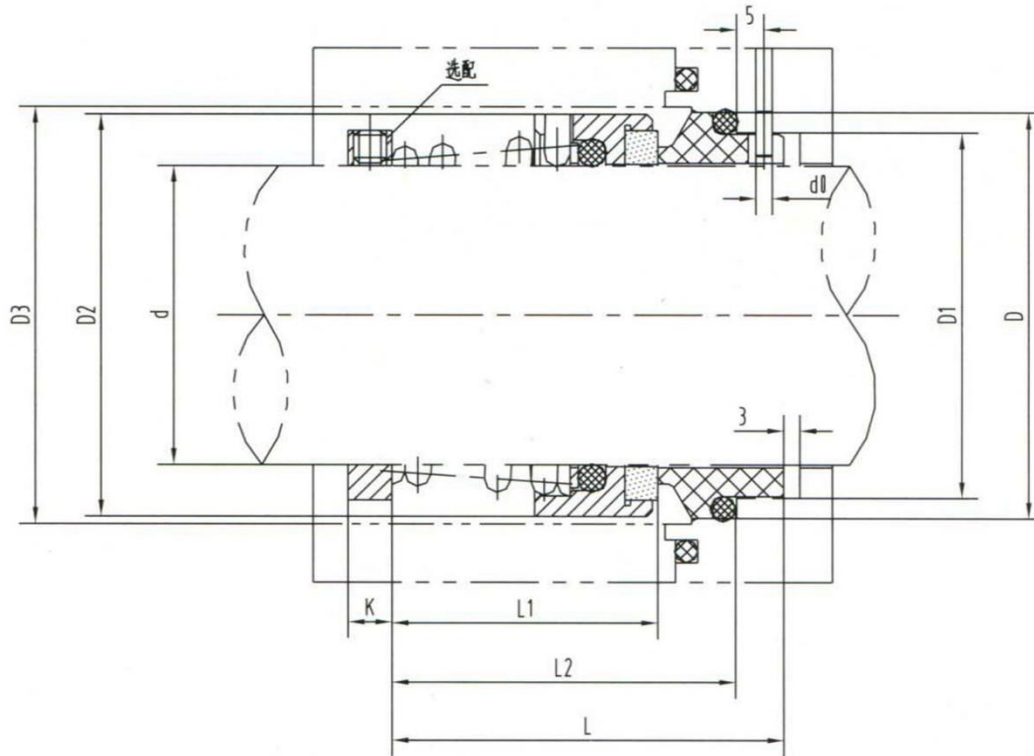
压力: ≤ 1.0 MPa
温度: $-20 \sim 180$ °C
线速度: ≤ 10 m/s

Mediums: oil, water, amorphism acid, alkali, salt, and organic solvents.

适用介质: 水、油、非结晶性酸、碱、盐有机溶剂等。



M3 Mechanical Seal Dimension Chart - M3型机械密封尺寸对照表



Dimensions	d	D	D1	D2	D3	L	L1	L2	d0	K
Shaft Sizes	h6	H8	H11							
18	18	33	27	31	37	37.5	18.0	29.5	3	9
20	20	35	29	34	39	38.5	19.0	30.5	3	9
22	22	37	31	36	41	40.0	20.5	32.0	3	9
24	24	39	33	38	43	41.5	22.0	33.5	3	9
25	25	40	34	39	45	43.0	23.5	35.0	3	9
28	28	43	37	42	47	44.0	24.5	36.0	3	9
30	30	45	39	44	49	44.0	24.5	36.0	3	9
33	33	48	42	47	51	47.5	28.0	39.5	3	9
35	35	50	44	49	54	47.5	28.0	39.5	3	9
38	38	56	49	54	59	53.0	31.0	45.0	4	9
40	40	58	51	56	61	56.0	34.0	48.0	4	9
43	43	61	54	59	65	57.0	35.0	49.0	4	9
45	45	63	56	61	66	58.5	36.5	50.5	4	9
48	48	66	59	64	69	64.0	42.0	56.0	4	9
50	50	70	62	66	71	66.0	43.0	58.0	4	9
53	53	73	65	69	75	70.0	47.0	62.0	4	9
55	55	75	67	71	76	70.0	47.0	62.0	4	9
58	58	78	70	78	83	73.0	50.0	65.0	4	9
60	60	80	72	79	85	74.0	51.0	66.0	4	9
65	65	85	77	85	90	75.0	52.0	67.0	4	9
70	70	92	83	90	95	80.0	54.0	72.0	4	10
75	75	97	88	98	105	80.0	54.0	72.0	4	10
80	80	105	95	103	109	84.0	58.0	76.0	4	10
85	85	110	100	108	114	87.5	61.5	81.0	4	10
90	90	115	105	113	119	87.5	61.5	81.0	4	10



M7N, AKA M74 Mechanical Seal for Chemical Pumps, KSB/Kaiquan Water Pumps and Double Suction Pumps M7N (M74)型机械密封

Structural Features: single end, wave spring (M7N), multi springs (M74), unbalanced, independent direction of rotation, lug transmission. M7N has a simple way of transmission and good compatibility; the wave spring structure allows transferring particulate, crystallized and high viscosity content. M74 also has a simple way of transmission and the compensation components are pre-assembled; it is easy to install and has good compensation. The load on the seal faces are balanced and the sealing performance is stable and reliable.

结构特点: 单端面, 波形弹簧 (M7N), 多弹簧 (M74), 非平衡型, 任意旋向, 耳传动。传动方式简单可靠, 互换性好; 波形弹簧结构 (M7N) 允许输送含颗粒、结晶、粘度大的物料, 应用广泛。多弹簧布置 (M74), 端面负荷均匀, 安装简单, 调整方便, 密封性能稳定可靠。

Standards: ISO3069, GB6556, DIN24960
符合标准: ISO3069, GB6556, DIN24960

Scopes of Application: widely used in chemical processing, oil refining, petrochemical engineering, sewage treatment, pharmacy and food production. Designed for chemical pumps, water pumps, screw pumps, sewage pumps, double suction pumps, paper making equipment and other rotary devices.

应用领域: 广泛应用于化工流程、炼油、石化、污水处理、造纸、制药和食品加工等领域。
可同化工泵、清水泵、螺杆泵、污水泵、双吸泵和造纸设备等其他旋转设备配套。

Inner Diameter: 20 mm to 300 mm
规格范围: 20 mm - 300 mm

Materials

Rotary Ring Face: SiC/TC
Stationary Ring Face: Carbon/SiC/TC
Elastomers: NBR/EPDM/Viton/FFKM
Springs: SS304/SS316/PH17-4/HC-276
Metal Parts: 410S/SS304/SS316/SS316L/Hastelloy

材料

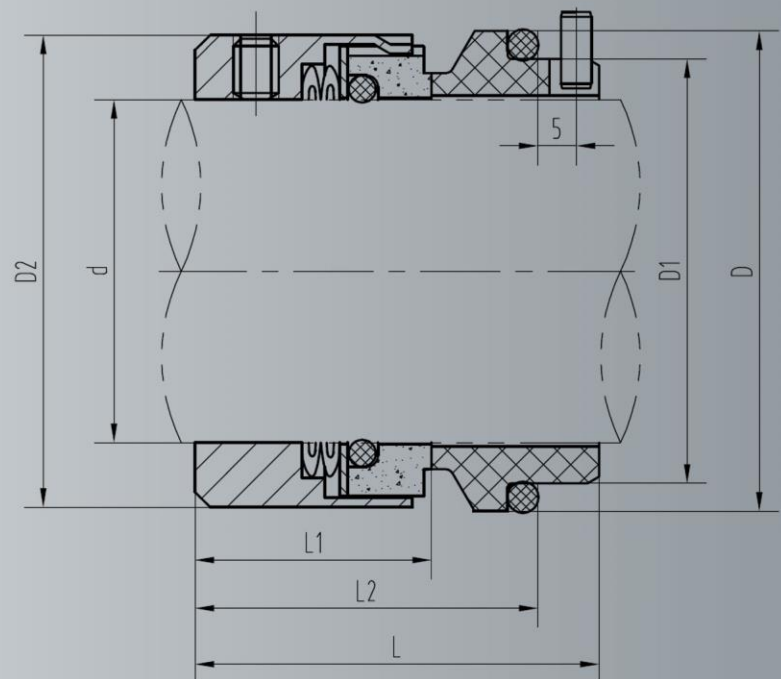
旋转环端面: 碳化硅/碳化钨
静止环端面: 石墨/碳化硅/碳化钨
辅助密封: 丁腈橡胶/三元乙丙橡胶/氟橡胶/全氟醚橡胶
弹簧: SS304/SS316/PH17-4/HC-276
金属部件: 410S/SS304/SS316/SS316L/哈氏合金

Operation Parameters

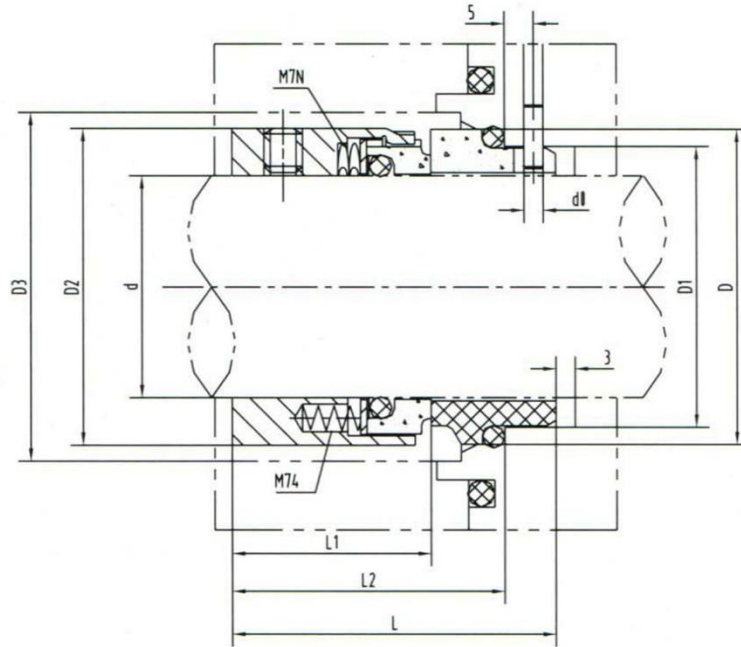
Pressure: ≤ 1.6 MPa
Temperature: $-40 \sim 200$ °C
Linear Speed: ≤ 20 m/s
运行参数
压力: ≤ 1.6 MPa
温度: $-40 \sim 200$ °C
线速度: ≤ 20 m/s

Mediums: oil, water, acid, alkali, organic solvents and subjects that are easy to be crystallized or have granules and high viscosity.

适用介质: 水、油、酸、碱、有机溶剂等, 允许含少量颗粒、结晶、粘度大的介质。



M7N (M74) Mechanical Seal Dimension Chart - M7N (M74)型机械密封尺寸对照表



Dimensions	d	D	D1	D2	D3	L	L1	L2	d0
Shaft Sizes	h6	H8	H11						
18	18	33.0	27.0	33	37	45.5	26.0	37.5	3
20	20	35.0	29.0	35	39	45.5	26.0	37.5	3
22	22	37.0	31.0	37	41	45.5	26.0	37.5	3
24	24	39.0	33.0	39	43	48.0	28.5	40.0	3
25	25	40.0	34.0	40	45	48.0	28.5	40.0	3
28	28	43.0	37.0	43	47	50.5	31.0	42.5	3
30	30	45.0	39.0	45	49	50.5	31.0	42.5	3
33	33	48.0	42.0	48	51	50.5	31.0	42.5	3
35	35	50.0	44.0	50	54	50.5	31.0	42.5	3
38	38	56.0	49.0	55	59	53.0	31.0	45.0	4
40	40	58.0	51.0	57	61	53.0	31.0	45.0	4
43	43	61.0	54.0	60	65	53.0	31.0	45.0	4
45	45	63.0	56.0	62	66	53.0	31.0	45.0	4
48	48	66.0	59.0	65	69	53.0	31.0	45.0	4
-50	50	70.0	62.0	67	71	55.5	32.5	47.5	4
53	53	73.0	65.0	70	75	55.5	32.5	47.5	4
55	55	75.0	67.0	72	76	55.5	32.5	47.5	4
58	58	78.0	70.0	79	83	60.5	37.5	52.5	4
60	60	80.0	72.0	81	85	60.5	37.5	52.5	4
65	65	85.0	77.0	86	95	60.5	37.5	52.5	4
70	70	92.0	83.0	91	95	68.0	42.0	60.0	4
75	75	97.0	88.0	99	105	68.0	42.0	60.0	4
80	80	105.0	95.0	104	109	68.0	41.8	60.0	4
85	85	110.0	100.0	109	114	68.0	41.8	60.0	4
90	90	115.0	105.0	114	119	73.0	46.8	65.0	4
95	95	120.0	110.0	119	124	73.0	47.8	65.0	4
100	100	125.0	115.0	124	129	73.0	47.8	65.0	4
105	105	134.3	122.2	138	144	77.0	47.0	67.0	5
110	110	140.3	128.2	143	149	77.0	47.0	67.0	5
115	115	148.3	136.2	148	154	77.0	47.0	67.0	5
120	120	150.3	138.2	153	159	77.0	47.0	67.0	5
125	125	154.3	142.2	158	164	77.0	47.0	67.0	5
130	130	158.3	146.2	163	169	77.0	47.0	67.0	5
135	135	164.3	152.2	168	174	77.0	47.0	67.0	5
140	140	168.3	156.2	173	181	77.0	47.0	67.0	5
145	145	173.3	161.2	178	186	77.0	47.0	67.0	5
150	150	180.3	168.2	183	191	79.0	47.0	69.0	5
155	155	185.3	173.2	191	199	90.0	56.0	80.0	5
160	160	190.3	178.2	196	204	90.0	56.0	80.0	5
165	165	195.3	183.2	201	209	90.0	56.0	80.0	5
170	170	200.3	188.2	206	214	90.0	56.0	80.0	5
175	175	205.3	193.2	211	219	90.0	56.0	80.0	5
180	180	219.3	207.5	216	224	94.0	56.0	84.0	5
185	185	224.3	212.5	221	229	94.0	56.0	84.0	5
190	190	229.3	217.5	226	234	94.0	56.0	84.0	5
195	195	234.3	222.5	231	239	94.0	56.0	84.0	5
200	200	239.3	227.5	236	244	94.0	56.0	84.0	5

58U, AKA 59U Mechanical Seals for Chemical Centrifugal Pumps, Vacuum Pumps, Compressors and Reaction Kettles

58U (59U)型机械密封

Structural Features: single end, multi springs, unbalanced, independent rotary direction, bolt and lug combined transmission. The transmission is simple and reliable. The compensation components are pre-assembled for easy installation and good compensation. The load on the sealing faces are balanced. The seal component is easy to adjust and the performance is reliable and stable.

结构特点: 单端面、多弹簧、非平衡型、任意旋向、螺钉凸耳组合传动。传动方式简单可靠、补偿元件整体预装、便于安装, 补偿性能好; 端面负荷均匀; 安装简单、调整方便、密封性能稳定可靠, 适用范围广, 通用性强。。

Standards: ISO3069, GB6556, DIN24960, EN12756
符合标准: ISO3069, GB6556, DIN24960, EN12756

Scopes of Application: oil industry, chemical engineering, chemical fiber, food processing, pharmacy, paper pulp and environmental protection industry. Designed for chemical pumps, water pumps, piping pumps, screw pumps, compressors and other rotary devices.

应用领域: 广泛应用于石油、化工、化纤、食品、医药、纸浆、环保等领域。可同化工泵、清水泵、管道泵、螺杆泵、压缩机等旋转设备配套。

Inner Diameter: 14 mm to 100 mm
规格范围: 14 - 100 mm

Materials

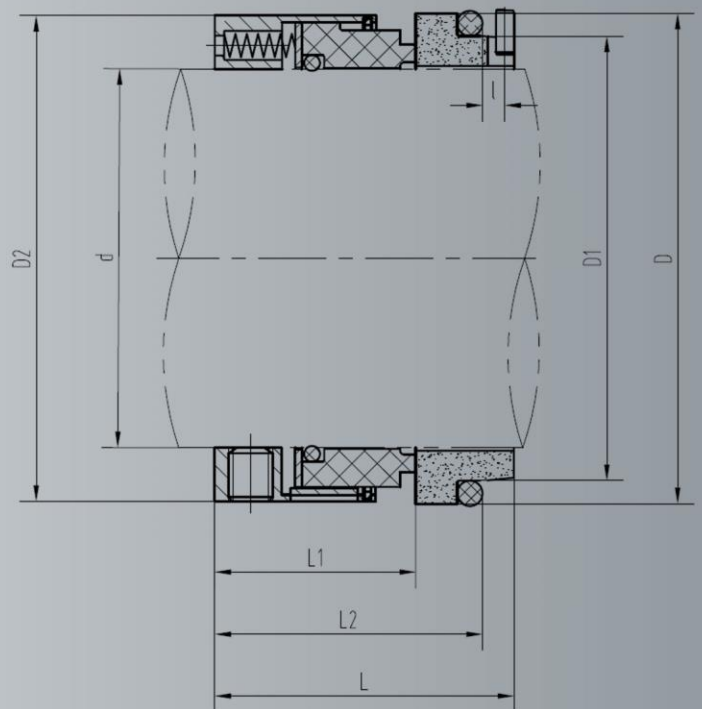
Rotary Ring Face: Carbon/SiC/TC
Stationary Ring Face: Al₂O₃/SiC/TC
Elastomers: NBR/EPDM/Viton/PTFE/FFKM
Springs: SS304/SS316/HC-276
Metal Parts: SS304/SS316/SS316L/Hastelloy

材料
旋转环端面: 石墨/碳化硅/碳化钨
静止环端面: 氧化铝/碳化硅/碳化钨
辅助密封: 丁腈橡胶/三元乙丙橡胶/氟橡胶/聚四氟乙烯/全氟醚橡胶
弹簧: SS304/SS316/HC-276
金属部件: SS304/SS316/SS316L/哈氏合金

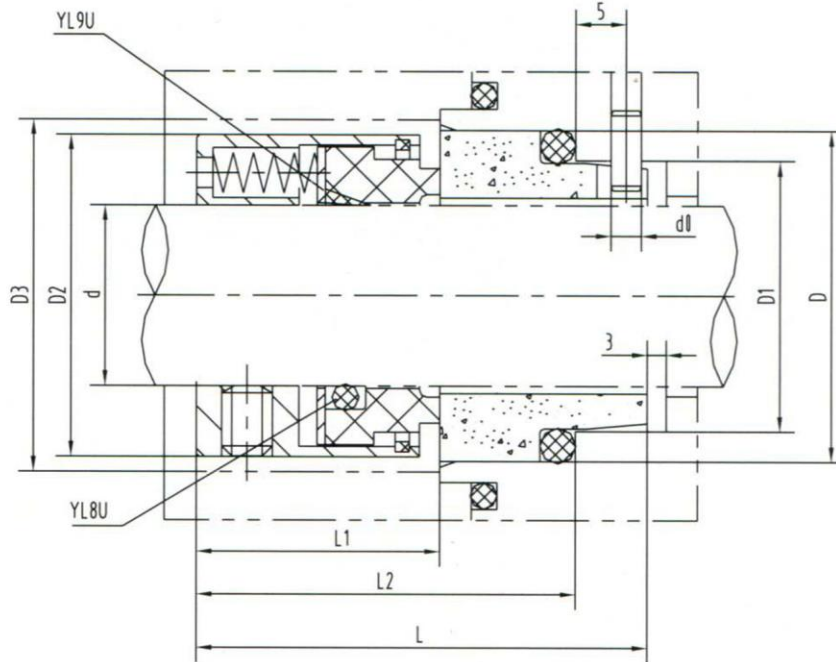
Operation Parameters

Pressure: ≤ 1.2 MPa
Temperature: - 40 ~ 200 °C
Linear Speed: ≤ 25 m/s
运行参数
压力: ≤ 1.2 MPa
温度: - 40 ~ 200 °C
线速度: ≤ 25 m/s

Mediums: oil, water, amorphism acid, alkali, salt, and organic solvents.
适用介质: 水、油、非结晶性酸、碱、盐有机溶剂等。



58U (59U) Mechanical Seal Dimension Chart - 58U (59U)型机械密封尺寸对照表



Dimensions Shaft Sizes	d	D	D1	D2	D3	L	L1	L2	d0
	h6	H8	H11						
20	20	35	29	34	36	45	24.0	37.5	3
22	22	37	31	36	38	45	24.0	37.5	3
24	24	39	33	38	40	47	26.7	40.0	3
25	25	40	34	39	41	47	27.0	40.0	3
28	28	43	37	42	44	50	30.0	42.5	3
30	30	45	39	44	46	50	30.5	42.5	3
32	32	48	42	46	48	50	30.5	42.5	3
33	33	48	42	47	49	50	30.5	42.5	3
35	35	50	44	49	51	50	30.5	42.5	3
38	38	56	49	54	58	52	32.0	45.0	4
40	40	58	51	56	60	52	32.0	45.0	4
43	43	61	54	59	63	52	32.0	45.0	4
45	45	63	56	61	65	52	32.0	45.0	4
48	48	66	59	64	68	52	32.0	45.0	4
50	50	70	62	66	70	55	34.0	47.5	4
53	53	73	65	69	73	55	34.0	47.5	4
55	55	75	67	71	75	55	34.0	47.5	4
58	58	78	70	78	83	60	39.0	52.5	4
60	60	80	72	80	85	60	39.0	52.5	4
63	63	83	75	83	88	60	39.0	52.5	4
65	65	85	77	85	90	60	39.0	52.5	4
68	68	90	81	88	93	60	39.0	52.5	4
70	70	92	83	90	95	67	45.5	60.0	4
75	75	97	88	95	104	67	45.5	60.0	4
80	80	105	95	104	109	67	45.0	60.0	4
85	85	110	100	109	114	67	45.0	60.0	4
90	90	115	105	114	119	72	50.0	65.0	4
95	95	120	110	119	124	72	50.0	65.0	4
100	100	125	115	124	129	72	50.0	65.0	4



58B AKA 59B Mechanical Seals for Chemical Pumps, Water Pumps, Compressors 58B (59B)型机械密封

Structural Features: single end, multiple springs, balanced, independent direction of rotation, bolt and lug combined transmission. The way of transmission is simple and reliable. The compensation components are pre-assembled and is easy to install. The load to the seal faces are balanced. The whole seal component is easy to adjust and the sealing performance is great and stable. Two 58B or 59B seals can be assembled with itself or each other working together as a double end seal.

结构特点: 单端面、多弹簧、平衡型、任意旋向、螺钉凸耳组合传动。传动方式简单可靠，补偿元件整体预装，便于安装，补偿性能好；端面负荷均匀，安装简单，调整方便，密封性能稳定可靠，适用范围广、互换性强。

Standards: ISO3069, GB6556, DIN24960, EN12756
符合标准: ISO3069, GB6556, DIN24960, EN12756

Scopes of Application: widely used in chemical pumps, water pumps, piping pumps, screw pumps and compressors for chemical processing, oil refining, petrochemical engineering, chemical fiber, food processing, pharmacy, paper pulp and environmental protection industries.

应用领域: 广泛应用于石油、化工、化纤、食品、医药、纸浆、环保等领域。
可同化工泵、清水泵、管道泵、螺杆泵、压缩机等旋转设备配套。

Inner Diameter: 14 mm to 100 mm
规格范围: 14 mm -100 mm

Materials

Rotary Ring Face: Carbon/SiC/TC
Stationary Ring Face: Al₂O₃/SiC/TC
Elastomers: NBR/EPDM/Viton/PTFE/FFKM
Springs: SS304/SS316/HC-276
Metal Parts: 410S/SS304/SS316/SS316L/Hastelloy

材料

旋转环端面: 石墨/碳化硅/碳化钨
静止环端面: 氧化铝/碳化硅/碳化钨
辅助密封: 丁腈橡胶/三元乙丙橡胶/氟橡胶/聚四氟乙烯/全氟醚橡胶
弹簧: SS304/SS316/HC-276
金属部件: 410S/SS304/SS316/SS316L/哈氏合金

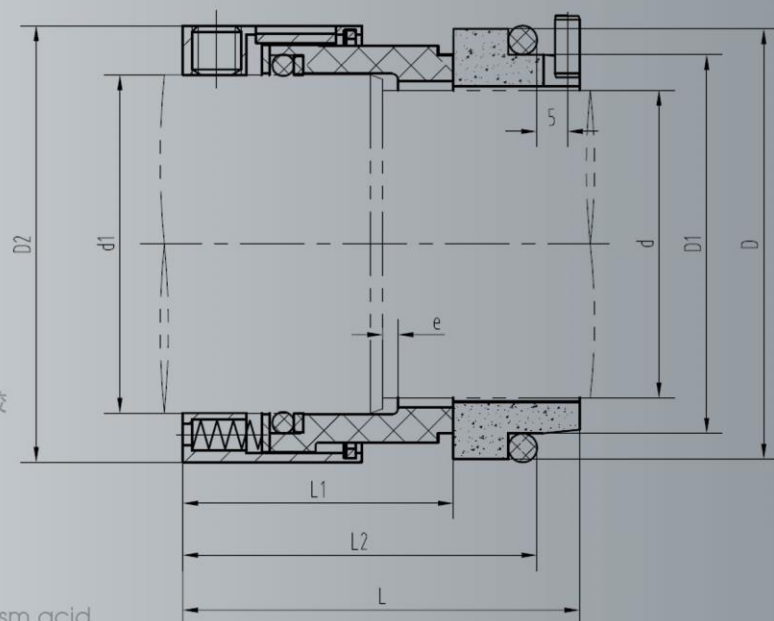
Operation Parameters

Pressure: ≤ 4.0 MPa
Temperature: - 40 ~ 200 °C
Linear Speed: ≤ 25 m/s

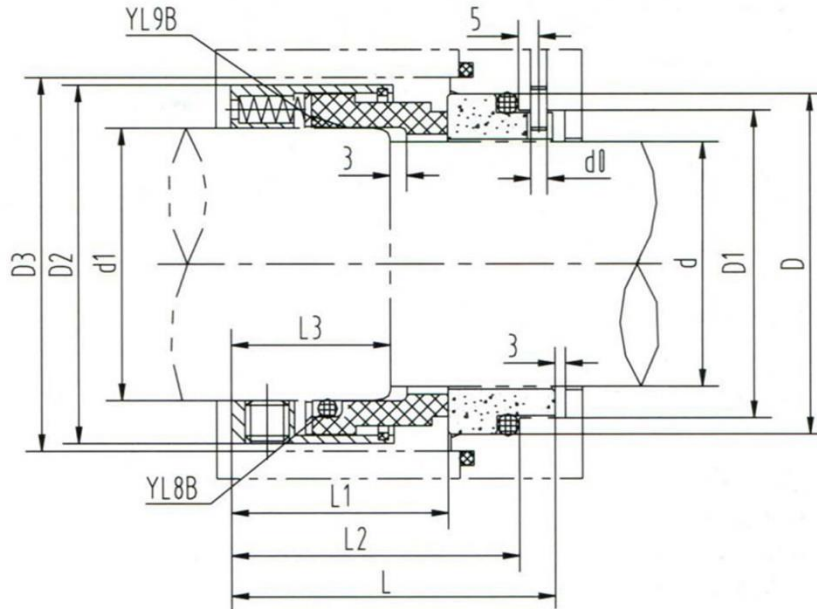
运行参数

压力: ≤ 4.0 MPa
温度: - 40 ~ 200 °C
线速度: ≤ 25 m/s

Mediums: oil, water, amorphism acid, alkali, salt, and organic solvents.
适用介质: 水、油、非结晶性酸、碱、盐、有机溶剂等。



58B (59B) Mechanical Seal Dimension Chart - 58B (59B)型机械密封尺寸对照表



Dimensions	d	d1	D	D1	D2	D3	L	L1	L2	L3	d0
Shaft Sizes	h6	h6	H8	H11							
20	20	24	35	29	38	40	52.5	31.5	45.0	25.0	3
22	22	26	37	31	40	42	52.5	31.5	45.0	25.0	3
24	24	28	39	33	42	44	54.5	34.2	47.5	27.5	3
25	25	30	40	34	44	46	54.5	34.5	47.5	27.5	3
28	28	33	43	37	47	49	57.0	37.5	50.0	30.0	3
30	30	35	45	39	49	51	57.0	38.0	50.0	30.0	3
32	32	38	48	42	54	58	57.0	38.0	50.0	30.0	3
33	33	38	48	42	54	58	57.0	38.0	50.0	30.0	3
35	35	40	50	44	56	60	57.0	38.0	50.0	30.0	3
38	38	43	56	49	59	63	59.5	39.5	52.5	29.5	4
40	40	45	58	51	61	65	59.5	39.5	52.5	29.5	4
43	43	48	61	54	64	68	59.5	39.5	52.5	29.5	4
45	45	50	63	56	66	70	59.5	39.5	52.5	29.5	4
48	48	53	66	59	69	73	59.5	39.5	52.5	29.5	4
50	50	55	70	62	71	75	64.5	44.0	57.5	32.5	4
53	53	58	73	65	78	83	64.5	44.0	57.5	32.5	4
55	55	60	75	67	80	85	64.5	44.0	57.5	32.5	4
58	58	63	78	70	83	88	69.5	49.0	62.5	37.5	4
60	60	65	80	72	85	90	69.5	49.0	62.5	37.5	4
63	63	68	83	75	88	93	69.5	49.0	62.5	37.5	4
65	65	70	85	77	90	95	69.5	49.0	62.5	37.5	4
70	70	75	92	83	99	104	77.0	55.5	70.0	42.0	4
75	75	80	97	88	104	109	77.0	55.5	70.0	42.0	4
80	80	85	105	95	109	114	77.0	55.0	70.0	42.0	4
85	85	90	110	100	114	119	82.0	60.0	75.0	47.0	4
90	90	95	115	105	119	124	82.0	60.0	75.0	47.0	4
95	95	100	120	110	124	129	82.0	60.0	75.0	47.0	4
100	100	105	125	115	129	134	82.0	60.0	75.0	47.0	4



JBMFO, AKA MFL85N or 680 Metal Bellow Mechanical Seal 680 (JBMFO/MFL85N)型 金属波纹管机械密封

Structural Features: single end, balanced, independent direction of rotation, bellow transmission. The bellow provides sealing faces with the closing force and also transmits the torque. The O-ring does not have axial movements so it has good tracing ability and strong capacity of resisting disturbance. This seal component is easy to install and adjust and has especially good performances of being used in medium-and-low viscosity mediums.

结构特点: 单端面、平衡型、任意旋向、波纹管传动；波纹管既能提供端面闭合力，又能传递扭矩作用；O形密封圈无轴向运动，追随性好，抗干扰能力强；安装简单、调整方便；尤其适合中低粘度介质中使用。

Standards: DIN24960, ISO3069, GB6556, EN12756
符合标准: DIN24960, ISO3069, GB6556, EN12756

Scopes of Application: widely used in petrochemical engineering, oil refining, chemical processing, chemical fiber manufacturing, food and beverage processing, pharmacy, thermoelectricity and paper making. Designed for chemical pumps, oil pumps, screw pumps, compressors and oil extraction equipment.

应用领域: 广泛应用于石化、炼油、化工、化纤、食品医药、热电、

造纸等领域。可同化工泵、油泵、螺杆泵、压缩机、采油设备等旋转设备配套。

Inner Diameter: 25 mm to 100 mm
规格范围: 25 - 100 mm

Materials

Rotary Ring Face: Carbon/SiC/TC
Stationary Ring Face: SiC/TC
Elastomers: NBR/EPDM/Viton/Aflas/FFKM
Springs: SS316/AM350/Inconel 718/HC-276
Metal Parts: SS316/SS316L/4J42/Hastelloy
材料
旋转环端面：石墨/碳化硅/碳化钨
静止环端面：碳化硅/碳化钨
辅助密封：丁腈橡胶/三元乙丙胶/氟橡胶/Aflas/全氟醚橡胶
弹簧：SS316/AM350/Inconel 718/HC-276
金属部件：SS316/SS316L/4J42/哈氏合金

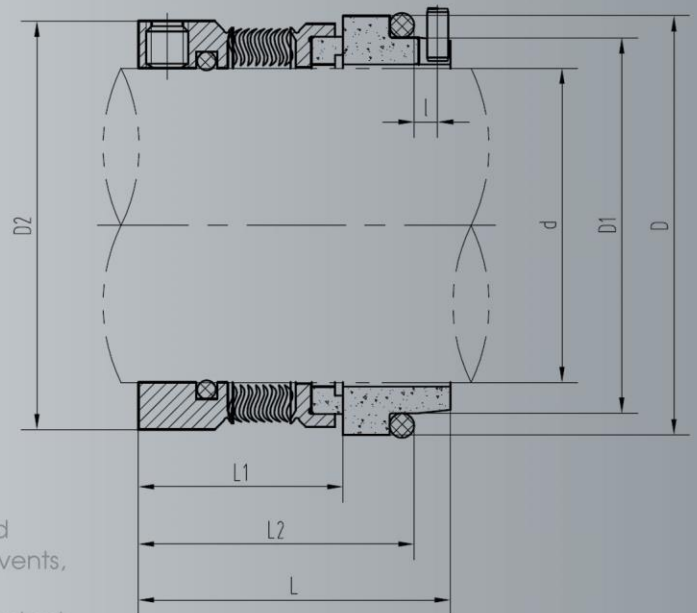
Operation Parameters

Pressure: - 0.1 ~ 2.5 MPa
Temperature: - 40 ~ 200 °C
Linear Speed: ≤ 15 m/s
运行参数

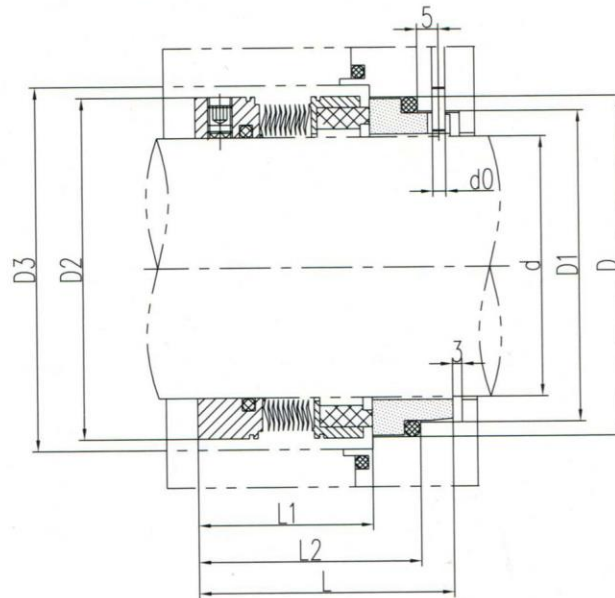
压力：- 0.1 ~ 2.5 MPa
温度：- 40 ~ 200 °C
线速度：≤ 15 m/s

Mediums: hot water, oil, liquid hydrocarbon, acid, alkali, solvents, paper pulp and other medium-and-low-viscosity content.

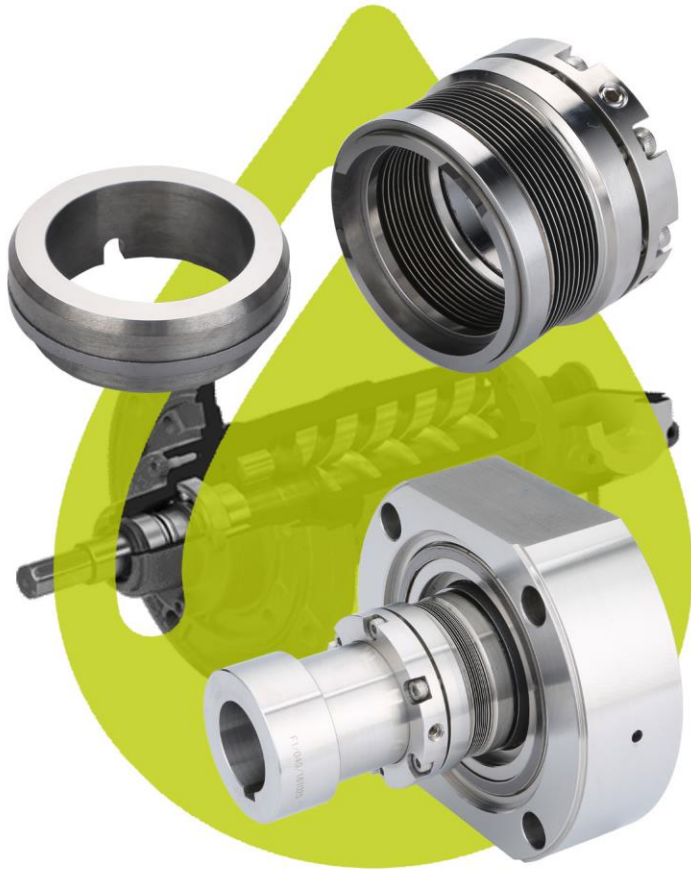
适用介质: 热水、油类、液态烃、酸、碱、溶剂、纸浆等中低粘度介质。



JBMFO (MFL85N/680) Mechanical Seal Dimension Chart - 680 (JBMFO/MFL85N)型机械密封尺寸对照表



Dimensions Shaft Sizes	d	D	D1	D2	D3	L	L1	L2	d0
	h6	H8	H11						
25	25	40	34	39.6	44	48.0	28.5	40.0	3
28	28	43	37	42.8	47	50.5	31.0	42.5	3
30	30	45	39	45.0	49	50.5	31.0	42.5	3
33	33	48	42	48.0	52	50.5	31.0	42.5	3
35	35	50	44	49.2	54	50.5	31.0	42.5	3
38	38	56	49	52.3	57	53.0	31.0	45.0	4
40	40	58	51	55.5	60	53.0	31.0	45.0	4
43	43	61	54	57.5	62	53.0	31.0	45.0	4
45	45	63	56	58.7	63	53.0	31.0	45.0	4
50	50	70	62	65.0	69	55.5	32.5	47.5	4
55	55	75	67	70.0	75	55.5	32.5	47.5	4
60	60	80	72	74.6	80	60.5	37.5	52.5	4
65	65	85	77	84.1	90	60.5	37.5	52.5	4
70	70	92	83	87.3	93	68.0	42.0	60.0	4
75	75	97	88	95.0	100	68.0	42.0	60.0	4
80	80	105	95	98.4	104	68.0	41.8	60.0	4
85	85	110	100	104.7	110	68.0	41.8	60.0	4
90	90	115	105	111.0	116	73.0	46.8	65.0	4
95	95	120	110	114.0	119	73.0	47.8	65.0	4
100	100	125	115	117.4	120	73.0	47.8	65.0	4



JBMFT/MFLWT80/609 Metal Bellow Mechanical Seal 609 (JBMFT/MFLWT80)型 金属波纹管机械密封

Structural Features: single end, balanced, independent direction of rotation, metal bellow, cartridge seal. The auxiliary seal ring is made of expanded graphite, which is suitable for complex operating conditions and mixed sealed mediums. This seal component is easy to install and adjust and has specifically great performance while used in medium-and-high viscosity and high or low temperature content.

结构特点: 单端面、平衡型、任意旋向、波纹管传动。波纹管既能提供端面闭合力，又能传递扭矩作用；柔性石墨能适用于比较复杂或混合介质的工况，追随性好，抗干扰能力强；安装简单、调整方便；尤其适合中高粘度、高温和低温介质中使用。

Standards: DIN24960, ISO3069, GB6556, EN12756
符合标准: DIN24960, ISO3069, GB6556, EN12756

Inner Diameter: 25 mm to 100 mm
规格范围: 25 - 100 mm

Materials

Rotary Ring Face: Carbon/SiC/TC

Stationary Ring Face: SiC/TC

Elastomers: Expanded Graphite

Springs: AM350/Inconel 718/HC-276
Metal Parts: 410S/SS316L/4J42/Hastelloy

材料

旋转环端面: 石墨/碳化硅/碳化钨

静止环端面: 碳化硅/碳化钨

辅助密封: 柔性石墨

弹簧: AM350/Inconel 718/HC-276

金属部件: 410S/SS316L/4J42/哈氏合金

Scopes of Application: mainly used in chemical pumps, oil pumps, screw pumps and oil extraction equipment for industries such as chemical engineering, oil refining, chemical fiber, food processing, pharmacy, thermoelectricity, and paper making.

应用领域: 广泛应用于化工、炼油、化纤、食品、医药、热电、造纸等领域。可同化工泵、油泵、螺杆泵、采油设备等旋转设备配套。

Operation Parameters

Pressure: - 0.1 ~ 2.5 MPa

Temperature: - 75 ~ 400 °C

Linear Speed: ≤ 15 m/s

运行参数

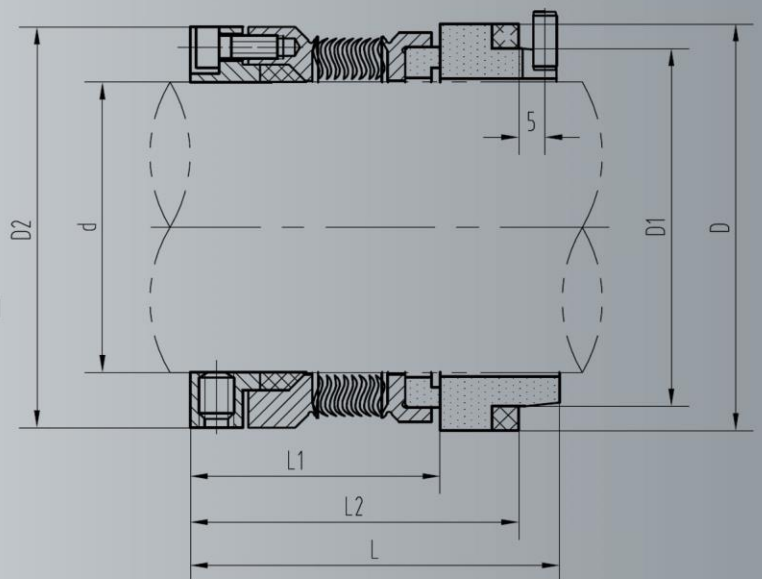
压力: - 0.1 ~ 2.5 MPa

温度: - 75 ~ 400 °C

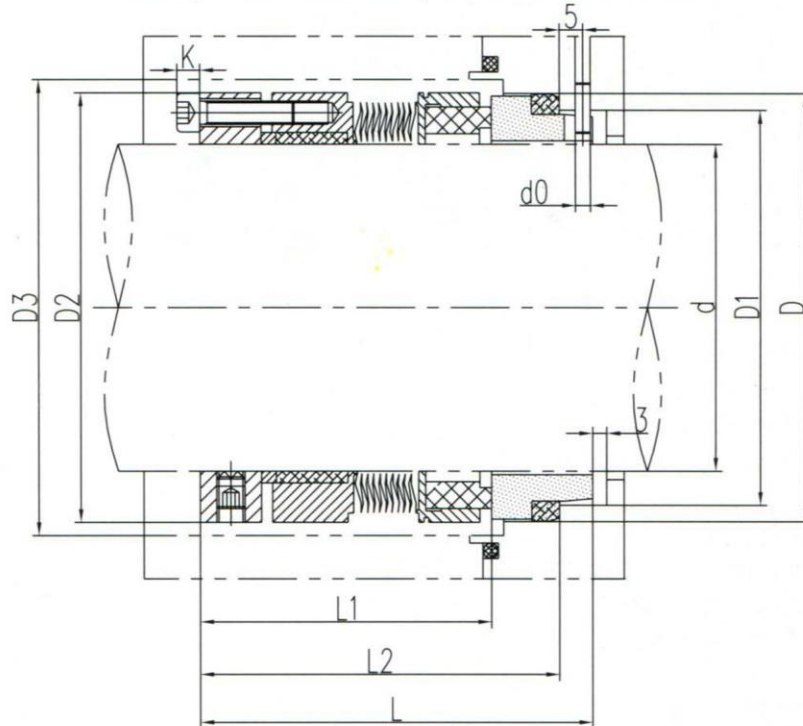
线速度: ≤ 15 m/s

Mediums: oil, liquid hydrocarbon, acid, alkali, solvent, paper pulp and other high or low temperature and medium-and-high viscosity content.

适用介质: 油类、液态烃、酸、碱、溶剂、纸浆等高低温中高粘度介质。



609 (JBMFT/MFLWT80) Mechanical Seal Dimension Chart
- 609 (JBMFT/MFLWT80)型机械密封尺寸对照表



Dimensions Shaft Sizes	d	D	D1	D2	D3	L	L1	L2	d0	k
	h6	H8	H11							
25	25	45.0	39.0	47	51	66.0	46.5	58.0	3	5
28	28	48.0	42.0	50	54	66.0	46.5	58.0	3	5
30	30	50.0	44.0	52	56	66.0	46.5	58.0	3	5
33	33	56.0	49.0	55	59	68.5	46.5	60.5	3	5
35	35	58.0	51.0	57	61	68.5	46.5	60.5	3	5
38	38	61.0	54.0	60	64	68.5	46.5	60.5	4	5
40	40	63.0	56.0	66	70	69.5	47.5	61.5	4	6
43	43	66.0	59.0	69	73	69.5	47.5	61.5	4	6
45	45	70.0	62.0	71	75	70.5	47.5	62.5	4	6
50	50	75.0	67.0	76	80	70.5	47.5	62.5	4	6
55	55	80.0	72.0	81	86	70.5	47.5	62.5	4	6
60	60	85.0	77.0	87	92	76.0	53.0	68.0	4	6
65	65	92.0	83.0	92	97	79.0	53.0	71.0	4	6
70	70	97.0	88.0	97	102	79.0	53.0	71.0	4	6
75	75	105.0	95.0	102	107	79.0	52.8	71.0	4	6
80	80	110.0	100.0	107	112	79.0	52.8	71.0	4	6
85	85	115.0	105.0	112	117	79.0	52.8	71.0	4	6
90	90	120.0	110.0	117	122	79.0	53.8	71.0	4	6
95	95	125.0	115.0	122	127	79.0	53.8	71.0	4	6
100	100	134.3	122.2	127	132	84.0	54.0	74.0	4	6



587-SP Mechanical Seals for Paper-making Equipment and ANDRITZ Paper Pulp Pumps ANDRITZ纸浆泵用587-SP型机械密封

Structural Features: single-end, double balanced, independent direction of rotation, wave spring with spring protector. The still spring structure allows high speed operating conditions. The spring is separated from the sealed mediums so it will not be jammed. This seal component has a simple structure and is easy to install with stable performance.

结构特点: 单端面, 波型弹簧, 弹簧保护, 双向平衡型, 静止结构, 任意旋向, 并紧传动。弹簧静止, 可适应较高转速。弹簧不与介质接触, 波片弹簧不易堵塞, 结构简捷, 安装简单, 运行可靠。

Standards: Specific Customization
符合标准: 特殊定制

Scopes of Application: widely used in paper pulp production, pharmacy, food processing, sewage treatment and chemical processing. Designed for paper pulp pumps, sewage pumps and chemical pumps.

应用领域: 广泛应用于化工、制药、造纸、食品、污水处理等领域。可同纸浆泵、污水泵、化工泵等旋转设备配套。

Inner Diameter: 38 mm, 48 mm, 53 mm, 65 mm, 90 mm, 100 mm
规格范围: 38 mm, 48 mm, 53 mm, 65 mm, 90 mm, 100 mm

Materials

Rotary Ring Face: Carbon/SiC/TC
Stationary Ring Face: SiC/TC
Elastomers: NBR/Viton/EPDM/Aflas
Springs: SS304/SS316/PH17-4
Metal Parts: SS304/SS316/SS316L

材料

旋转环端面: 石墨/碳化硅/碳化钨
静止环端面: 碳化硅/碳化钨
辅助密封: 丁腈橡胶/氟橡胶/三元乙丙橡胶/Aflas
弹簧: SS304/SS316/PH17-4
金属部件: SS304/SS316/SS316L

Operation Parameters

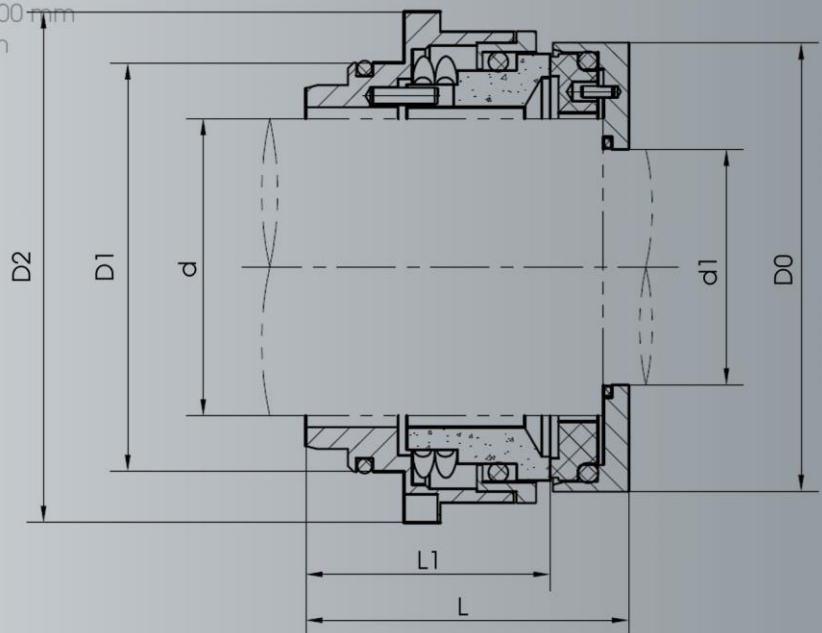
Pressure: 0 ~ 2.5 MPa
Temperature: - 40 ~ 230 °C
Linear Speed: ≤ 20 m/s

运行参数

压力: 0 ~ 2.5 MPa
温度: - 40 ~ 230 °C
线速度: ≤ 20 m/s

Mediums: oil, water, sulphite lyes, paper pulp, acid, alkali and other solvents.

适用介质: 油类、水、黑液、纸浆、酸、碱、溶剂等介质。





AK5M Mechanical Seal for Paper-making Equipment and other Industrial Pumps AK5M型机械密封

Structural Features: single-end, balanced, independent direction of rotation, wave spring with spring protector. The spring is separated from the sealed mediums so it will not be jammed. This seal component has a simple structure and is easy to install with stable performance.

结构特点: 单端面, 波型弹簧, 弹簧保护, 平衡型, 任意旋向, 并紧传动。弹簧不与介质接触, 波片弹簧不易堵塞, 结构简捷, 安装简单, 运行可靠。

Standards: DIN24960, EN12756, ISO03069, GB6556
符合标准: DIN24960, EN12756, ISO03069, GB6556

Scopes of Application: widely used in chemical engineering, pulp production, pulp cooking, and sewage treatment. Designed for paper pulp pumps, sewage pumps, chemical pumps and other rotary devices and works and replacement to similar products of ANDRITZ and Sulzer.

应用领域: 广泛应用于化工、制浆、蒸煮、污水处理等领域。可同纸浆泵、污水泵、化工泵等旋转设备配套。可替代 ANDRITZ和Sulzer同类型产品。

Inner Diameter: 38 mm, 48 mm, 53 mm, 65 mm, 90 mm, 100 mm
规格范围: 38 mm, 48 mm, 53 mm, 65 mm, 90 mm, 100 mm

Materials

Rotary Ring Face: Carbon/SiC/TC
Stationary Ring Face: SiC/TC
Elastomers: NBR/EPDM/Viton/Aflas
Springs: SS304/SS316/PH17-4
Metal Parts: SS304/SS316/SS316L

材料

旋转环端面: 石墨/碳化硅/碳化钨
静止环端面: 碳化硅/碳化钨
辅助密封: 丁腈橡胶/三元乙丙橡胶/氟橡胶/Aflas
弹簧: SS304/SS316/PH17-4
金属部件: SS304/SS316/SS316L

Operation Parameters

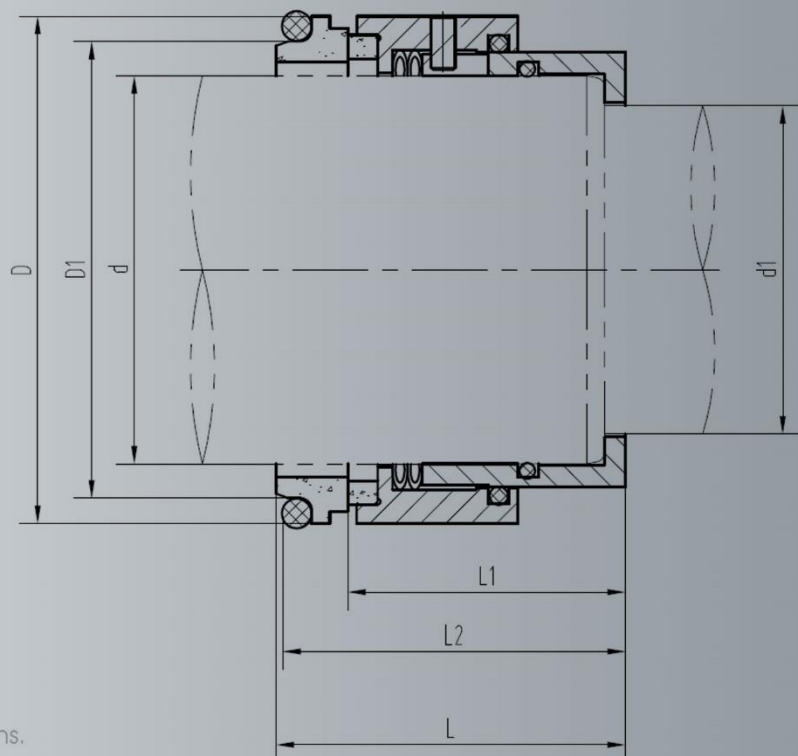
Pressure: 0 ~ 2.5 MPa
Temperature: - 40 ~ 230 °C
Linear Speed: ≤ 20 m/s

运行参数

压力: 0 ~ 2.5 MPa
温度: - 40 ~ 230 °C
线速度: ≤ 20 m/s

Mediums: oil, water, solvents, paper pulp and other mediums.

适用介质: 油类、水、溶剂、纸浆等介质。





SB2 Mechanical Seal for Paper Pulp Pumps SB2型集装式机械密封

Structural Features: double end, multi springs, balanced, independent rotary direction, still structure, pin transmission. The still springs are suitable for high operating speed. The springs are separated from the sealed mediums so they will not be jammed. Piston design allows great axial shifting. The seal is cartridge design with easy installation and reliable performance.

结构特点: 双端面、多弹簧、平衡型、任意旋向、静止结构、螺钉传动。弹簧静止，适合较高转速；弹簧不与介质接触，避免弹簧堵塞或被腐蚀；多弹簧布置，端面负荷均匀；活塞结构设计，允许有较大轴向窜量；整体集装，安装简单，运行可靠。

Standards: Specific Customization

符合标准：特殊定制

Scopes of Application: designed for paper pulp pumps, condensation pumps, filters, pressure screens and other rotary devices for chemical engineering, pulp making and filtering and sewage treatment. This component can work as a part of ANDRITZ SafeMatic seal support system.

应用领域: 广泛应用于化工、制浆、蒸发、过滤、污水处理等领域。可同纸浆泵、冷凝泵、过滤机、压力筛等旋转设备配套。可替代 ANDRITZ SafeMatic 同类型产品。

Inner Diameter: 35 mm to 140 mm
规格范围：35 mm - 140 mm

Materials

Rotary Ring Face: SiC/TC

Stationary Ring Face: Carbon/SiC/TC

Elastomers: NBR/EPDM/Viton/Aflas

Springs: SS304/SS316/HC-276

Metal Parts: SS304/SS316/SS316L

材料

旋转环端面：碳化硅/碳化钨

静止环端面：石墨/碳化硅/碳化钨

辅助密封：丁腈橡胶/三元乙丙橡胶/氟橡胶/Aflas

弹簧：SS304/SS316/HC-276

金属部件：SS304/SS316/SS316L

Operation Parameters

Pressure: ≤ 1.5 MPa

Temperature: $-20 \sim 180$ °C

Linear Speed: 15 m/s

运行参数

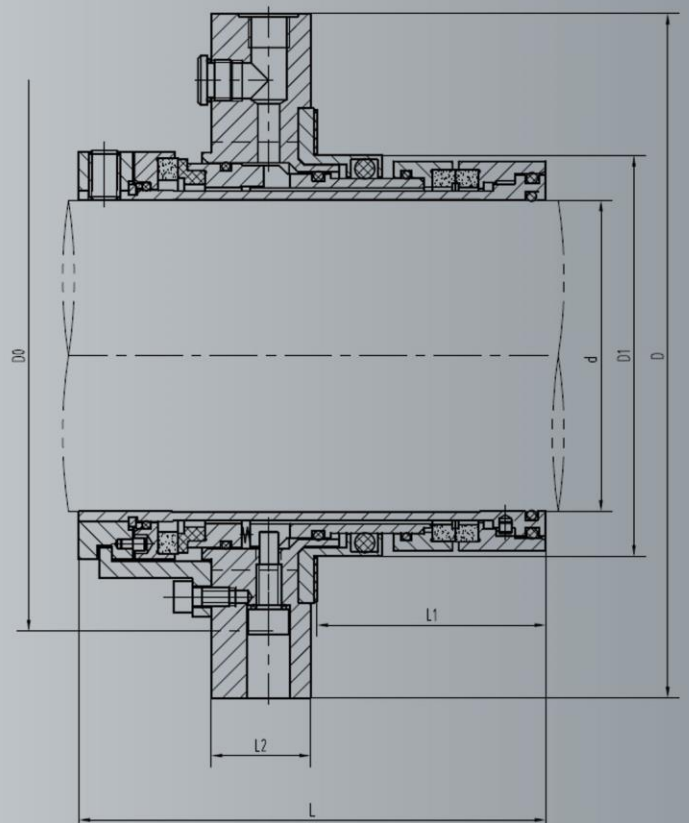
压力： ≤ 1.5 MPa

温度： $-20 \sim 180$ °C

线速度：15 m/s

Mediums: oil, water, solvents and paper pulp.

适用介质：油类、水、溶剂、纸浆等介质





SAF Mechanical Seal for Paper-making Equipment and Pressure Screens (for paper pulp agitation)

SAF型集装式机械密封

Structural Features: double-end, multiple springs, with spring protector, balanced, independent direction of rotation, spring standing mechanical seal. The component is cartridge seal with easy installation. The springs are not touching the sealed mediums so that there will be no jam caused by the high viscosity and crystallization active content. This makes sure the flexibility of the compensation ring and as a result, it lasts the lifetime of the whole component. Multi spring structure makes the load on the sealing faces balanced. The seal needs to work with sealing water, which has the pressure of 0.1 - 0.3 MPa and flow rate of 3 - 8 L/min.

结构特点: 双端面、多弹簧、平衡型、任意旋向、静止式、并紧传动。弹簧静止，适合高速运转，弹簧不与介质接触，避免弹簧堵塞和被腐蚀。多弹簧布置，端面负荷均匀。导流套结构，冷却更加充分。整体集装，安装简单，运行可靠。使用时需接冷却水、冷却水的压力为0.1 - 0.3 MPa，流量3 - 8 L/min。

Standards: Specific Customization
符合标准：特殊定制

Scopes of Application: mainly used in chemical engineering, pulp production, pulp drying, pulp screening, and sewage treatment. Designed for pressure screens and other filters. This component can work as an alternative to ANDRITZ SafeMatic seal support system.

应用领域: 广泛应用于化工、制浆、蒸发、过滤、污水处理等领域。可同压力筛、过滤机等旋转设备配套。可替代ANDRITZ SafeMatic同类型产品。

Inner Diameter: 45 mm to 200 mm
规格范围: 45 mm - 200 mm

Materials

Rotary Ring Face

Medium Side: SiC/TC

Sealing Water Side: SiC/TC

Stationary Ring Face

Medium Side: SiC/TC

Sealing Water Side: Carbon/SiC/TC

Elastomers: Viton/EPDM/PTFE/Aflas

Springs: SS316/HC276

Metal Parts: SS304/SS316/SS316L/2507/2205

材料

旋转环端面

介质侧：碳化硅/碳化钨

封液侧：碳化硅/碳化钨

静止环端面

介质侧：碳化硅/碳化钨

封液侧：石墨/碳化硅/碳化钨

辅助密封：氟橡胶/三元乙丙橡胶/聚四氟乙烯/Aflas

弹簧：SS316/HC276

金属部件：SS304/SS316/SS316L/2507/2205

Operation Parameters

Pressure: 0 ~ 1.5 MPa

Temperature: - 40 ~ 180 °C

Linear Speed: ≤ 20 m/s

运行参数

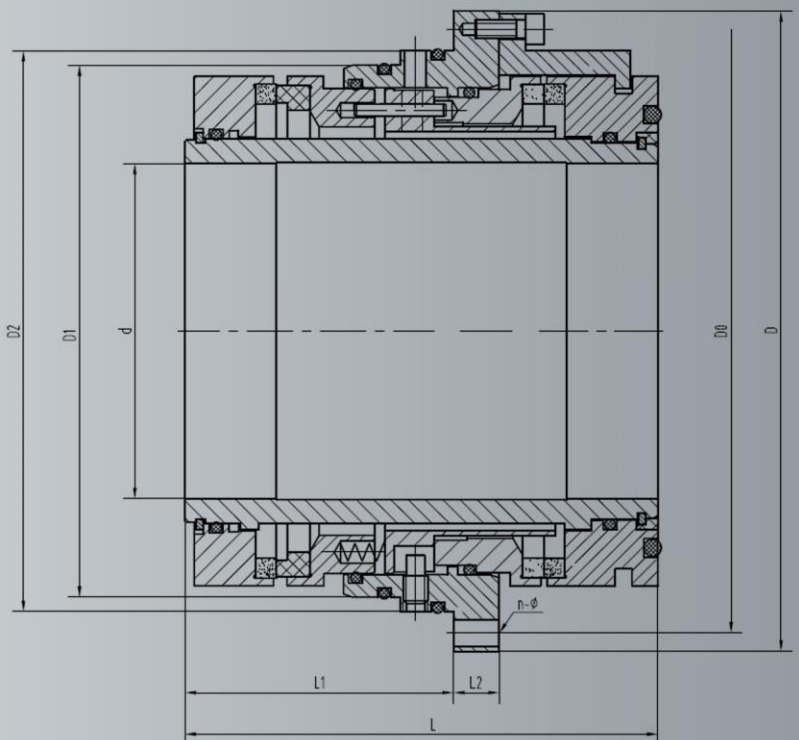
压力：0 ~ 1.5 MPa

温度：- 40 ~ 180 °C

线速度：≤ 20 m/s

Mediums: oil, water, sulphite lyes, paper pulp, acid, alkali and other solvents.

适用介质: 油类、水、黑液、纸浆、酸、碱、溶剂等介质。





YL Cartex (SN/DN) Mechanical Seal for Chemical Centrifugal Pumps, Vacuum Pumps, Compressors

YL Cartex (SN或DN) 集装式机械密封

Structural Features: single end (SN) and double end (DN), multiple springs, balanced (SN) and double balanced (DN), independent direction of rotation, still type cartridge seals. This component has good compensation and is suitable for the situations of sudden changes of system pressure. The compensatory ring is inside the flange and the elastomer rings protect the springs at the medium side to make sure no contact between the springs and the medium, which prevents the corrosion to the springs. Pumping slot design in the sleeve. Pin transmission design makes the component more reliable. The seal has a simple structure and is easy to install. Both axial and radial dimensions are small and the seal is good to replace gland packing.

结构特点: 单端面为SN, 双端面为DN, 多弹簧, 双向平衡, 任意旋向, 静止结构, 螺钉传动。弹簧不与介质接触, 避免弹簧堵塞或被腐蚀; 多弹簧布置, 端面负荷均匀; 双向平衡, 承受压力范围大; 轴套带泵送结构, 冷却更加充分; 螺钉传动牢固可靠, 结构简捷, 安装方便, 通用性强; 径向尺寸小, 轴向尺寸短, 是填料密封设备改造的理想产品。

Standards: DIN24960, ISO3069, ANSI B73.1M
符合标准: DIN24960, ISO3069, ANSI B73.1M

Scopes of Application: widely used in water treatment, power plants, metallurgy, food processing, pharmacy, chemical engineering, fertilizer and paper making. Suitable for clear water pumps, chemical pumps, double suction pumps, paper pulp pumps, compressors and other rotary devices. Good for replacing gland packing.

应用领域: 广泛应用于水处理、电力、冶金、食品加工、医药、化工、化肥、造纸等领域, 可同化工泵、清水泵、双吸泵、纸浆泵、压缩机组等旋转设备配套, 适用于填料密封转换。

Inner Diameter: 25 mm to 110 mm
规格范围: 25 mm - 110 mm

Materials

Rotary Ring Face: TC/SiC
Stationary Ring Face: Carbon/SiC/TC
Elastomers: NBR/EPDM/Viton/Aflas/FFKM
Springs: SS304/SS316/HC-276
Metal Parts: 410S/SS304/SS316/SS316L/Hastelloy

材料

旋转环端面: 碳化钨/碳化硅
静止环端面: 石墨/碳化硅/碳化钨
辅助密封: 丁腈橡胶/三元乙丙橡胶/氟橡胶/Aflas/全氟醚橡胶
弹簧: SS304/SS316/HC-276
金属部件: 410S/SS304/SS316/SS316L/哈氏合金

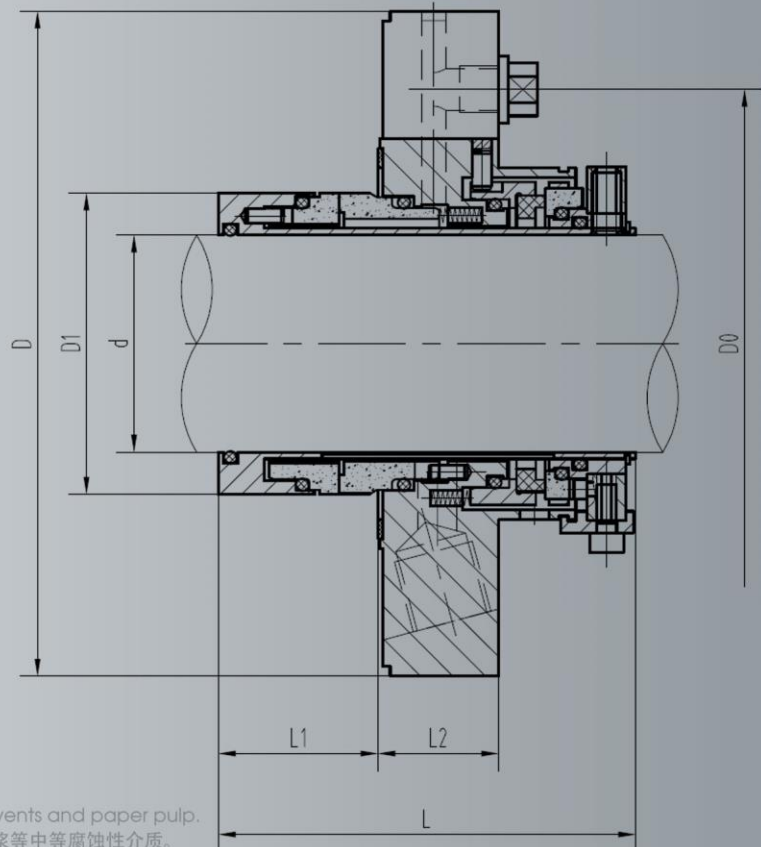
Operation Parameters

Pressure: ≤ 2.5 MPa
Temperature: $-40 \sim 180$ °C
Linear Speed: ≤ 15 m/s

运行参数

压力: ≤ 2.5 MPa
温度: $-40 \sim 180$ °C
线速度: ≤ 15 m/s

Mediums: water, oil, acid, alkali, salt, solvents and paper pulp.
适用介质: 水、油、酸、碱、盐、溶剂、纸浆等中等腐蚀性介质。





SE2-AP Mechanical Seal for Paper-making Equipment, Alumina Plants, Deashing System and Slurry Pumps SE2-AP型机械密封

Structural Features: double end, multi springs, balanced, independent rotary direction, still structure, pin transmission. The still springs are suitable for high operating speed. The springs are separated from the sealed mediums so they will not be jamed. Piston design allows great axial shifting. The seal is separated assembled with easy installation and reliable performance.

结构特点: 双端面、多弹簧、平衡型、任意旋向、静止结构、螺钉传动。弹簧静止，适合较高转速；弹簧不与介质接触，避免弹簧堵塞或被腐蚀；多弹簧布置，端面负荷均匀；活塞结构设计，允许有较大轴向窜量；组合结构，安装简单，运行可靠。

Standards: Specific Customization

符合标准：特殊定制

Scopes of Application: mainly used in paper-making equipment, slurry pumps, pressure screens, flue gas desulphurization for chemical engineering, power plants, mining, oil refining, alumina plants, food processing, pharmacy, and paper making. This seal works as an alternative to similar products of Sulzer.

应用领域: 广泛应用于化工、电力、采矿、炼油、食品、制药、造纸、氧化铝等领域。可同渣浆泵、冷凝泵、压力筛等旋转设备配套。可替代Sulzer同类型产品。

Inner Diameter: 30 mm to 100 mm

规格范围：30 mm - 100 mm

Materials

Rotary Ring Face: SiC/TC

Stationary Ring Face: SiC/TC

Elastomers: Viton/EPDM/Aflas/PTFE/FFKM

Springs: SS304/SS316/HC-276

Metal Parts: 410S/SS304/SS316/SS316L/2205/2507

材料

旋转环端面：碳化硅/碳化钨

静止环端面：碳化硅/碳化钨

辅助密封：氟橡胶/三元乙丙橡胶/Aflas/

聚四氟乙烯/全氟醚橡胶

弹簧：SS304/SS316/HC-276

金属部件：410S/SS304/SS316/SS316L/2205/2507

Operation Parameters

Pressure: 0 ~ 2.0 MPa

Temperature: -20 ~ 180 °C

Linear Speed: ≤ 20 m/s

Pressure of Cooling Water: 0.1 to 0.3 MPa

Solid Capacity: ≤ 25%

运行参数

压力：0 ~ 2.0 MPa

温度：-20 ~ 180 °C

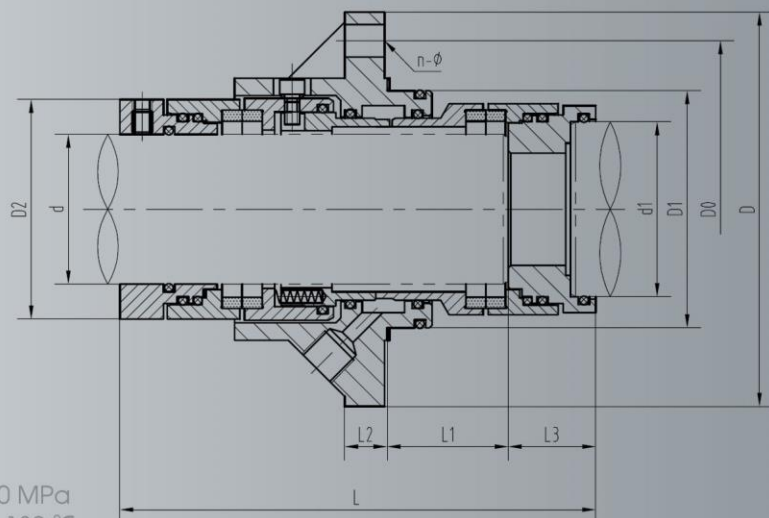
线速度：≤ 20 m/s

封液压力：0.1 to 0.3 MPa

固体含量：≤ 25%

Mediums: oil, water, paper pulp, gypsum slurry, acid, alkali, solvents and other solid particle and high viscosity mediums.

适用介质: 油类、水、纸浆、石膏浆液、酸、碱、溶剂和其他带有固体颗粒和高粘度的介质。





ZHJ Mechanical Seals for Paper-making Equipment, Alumina Plants, Flue Gas Desulphurization, Deashing System and Slurry Pumps ZHJ型集装式机械密封

Structural Features: single end, multiple springs, with spring protector, balanced, independent direction of rotation. The component is cartridge seal with easy installation. The compensation components are supporting the sleeve. The springs are not touching the subjects so that there will be no jam caused by the high viscosity and crystallization active content. This makes sure the flexibility of the compensation ring and as a result, it lasts the lifetime of the whole component. Easy installation, no need to disassemble the seal cavity for the installation.

结构特点: 单端面、多弹簧、平衡型、旋转式、弹簧保护、任意旋向、螺钉（夹紧）传动。补偿元件支撑在轴套上，随轴旋转；弹簧不与介质接触，避免弹簧堵塞和被腐蚀；多弹簧布置，端面负荷均匀；旋转方向不限，结构简捷，传动方式牢固可靠，安装空间小；整体集装，安装简单、方便，运行可靠。

Standards: DIN24960, ISO3069, ANSI B73.1M

符合标准: DIN24960, ISO3069, ANSI B73.1M

Scopes of Application: mainly used in paper-making equipment, alumina plants, flue gas desulphurization (AKA FGD), deashing system (for power plants) and slurry pumps for industries such as coal washery, minging, sewage treatment, paper making, metallurgy, power plants, and chemical engineering. This seal works as an alternative to similar products of Warmann.

应用领域: 广泛应用于洗煤厂、采矿、废水处理、造纸、冶金、电厂、化工、氧化铝等领域。可同渣浆泵、脱硫泵、纸浆泵配套。可替代Warmann同类型产品。

Inner Diameter: 35 mm to 170 mm

规格范围: 35 mm - 170 mm

Materials

Rotary Ring Face: SiC/TC

Stationary Ring Face: SiC/TC

Elastomers: Viton/EPDM/Aflas

Springs: SS304/SS316/HC276

Metal Parts: 410S/SS304/SS316/SS316L/2507/2205

材料

旋转环端面: 碳化硅/碳化钨

静止环端面: 碳化硅/碳化钨

辅助密封: 氟橡胶/三元乙丙橡胶/Aflas

弹簧: SS304/SS316/HC276

金属部件: 410S/SS304/SS316/SS316L/2507/2205

Operation Parameters

Pressure: 0 ~ 1.2 MPa

Temperature: -20 ~ 130 °C

Linear Speed: ≤ 10 m/s

运行参数

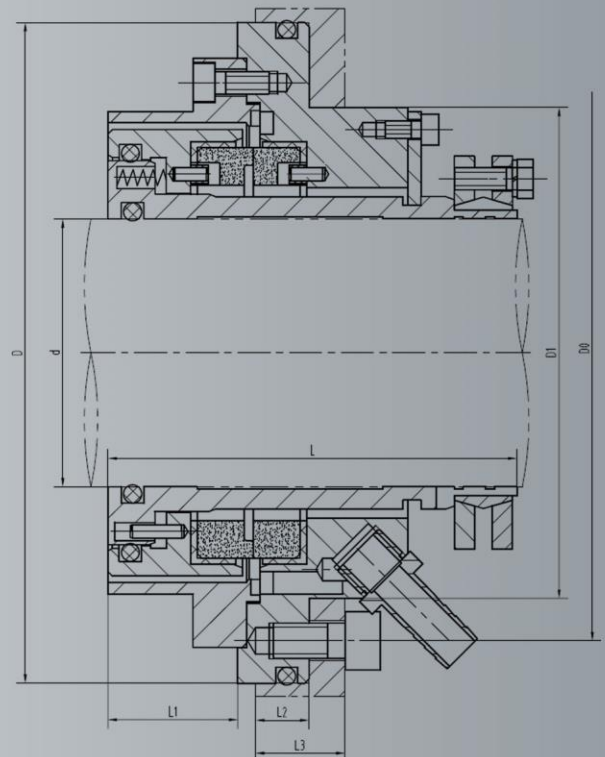
压力: 0 ~ 1.2 MPa

温度: -20 ~ 130 °C

线速度: ≤ 10 m/s

Mediums: paper pulp, coal cinder, slag, ash and other fluids with solid powder.

适用介质: 含固量 ≤ 25% 的灰渣、煤渣、矿渣、泥浆、石膏浆液、纸浆、氧化铝等。





ZGJ Mechanical Seals for Paper-making Equipment, Alumina Plants, Flue Gas Desulphurization, Deashing System and Slurry Pumps ZGJ型集装箱式机械密封

Structural Features: single end, multiple springs, with spring protector, balanced, independent direction of rotation. The component is cartridge seal with easy installation. The compensation components are supporting the sleeve. The springs are not touching the subjects so that there will be no jam caused by the high viscosity and crystallization active content. This makes sure the flexibility of the compensation ring and as a result, it lasts the lifetime of the whole component. Easy installation, no need to disassemble the seal cavity for the installation.

结构特点: 单端面、多弹簧、平衡型、旋转式、弹簧保护、任意旋向、螺钉（夹紧）传动。补偿元件支撑在轴套上，随轴旋转；弹簧不与介质接触，避免弹簧堵塞和被腐蚀；多弹簧布置，端面负荷均匀；旋转方向不限，结构简捷，传动方式牢固可靠，安装空间小；整体集装，安装简单、方便，运行可靠。

Standards: DIN24960, ISO3069, ANSI B73.1M

符合标准: DIN24960, ISO3069, ANSI B73.1M

Scopes of Application: mainly used in paper-making equipment, alumina plants, flue gas desulphurization (AKA FGD), deashing system (for power plants) and slurry pumps for industries such as coal washery, minging, sewage treatment, paper making, metallurgy, power plants, and chemical engineering. This seal works as an alternative to similar products of Warman.

应用领域: 广泛应用于洗煤厂、采矿、废水处理、造纸、冶金、电厂、化工、氧化铝等领域。可同渣浆泵、脱硫泵、纸浆泵配套。可替代Warmann同类型产品。

Inner Diameter: 35 mm to 170 mm

规格范围: 35 mm - 170 mm

Materials

Rotary Ring Face: SiC/TC

Stationary Ring Face: SiC/TC

Elastomers: Viton/EPDM/Aflas

Springs: SS304/SS316/HC276

Metal Parts: 410S/SS304/SS316/SS316L/2507/2205

材料

旋转环端面：碳化硅/碳化钨

静止环端面：碳化硅/碳化钨

辅助密封：氟橡胶/三元乙丙橡胶/Aflas

弹簧：SS304/SS316/HC276

金属部件：410S/SS304/SS316/SS316L/2507/2205

Operation Parameters

Pressure: 0 ~ 1.2 MPa

Temperature: -20 ~ 130 °C

Linear Speed: ≤ 10 m/s

运行参数

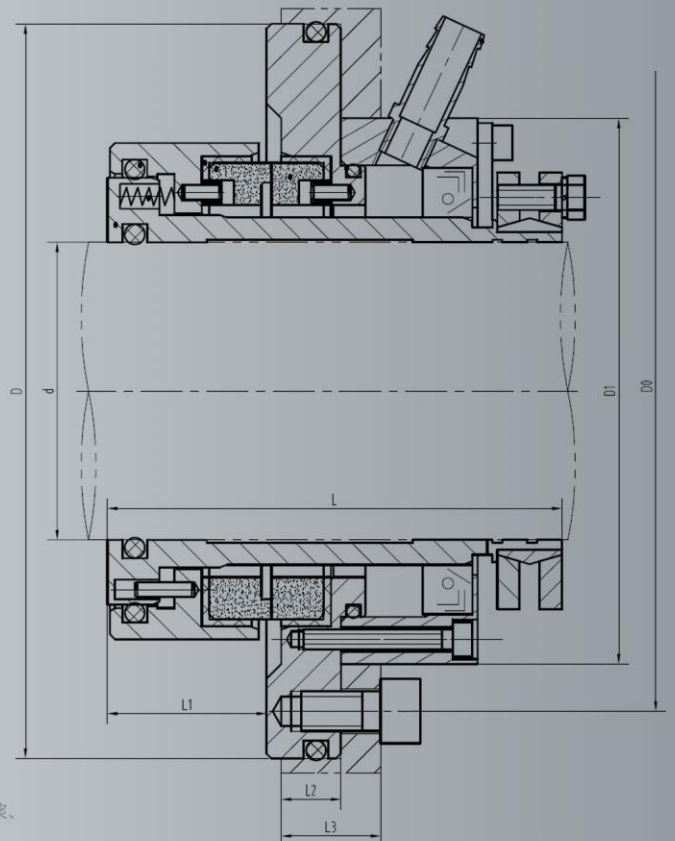
压力：0 ~ 1.2 MPa

温度：-20 ~ 130 °C

线速度：≤ 10 m/s

Mediums: paper pulp, coal cinder, slag, ash and other fluids with solid powder.

适用介质: 含固量 ≤ 25% 的灰渣、煤渣、矿渣、泥浆、石膏浆液、纸浆、氧化铝等。





204B Mechanical Seal for Top Driven Vertical Type Agitation Equipment, Fermentation Tanks, Seeding Tanks, Reaction Kettles and Sewage Treatment Devices 204B型卧式/立式搅拌机机械密封

Structural Features: single end, multi springs, balanced, independent direction of rotation. The multi spring structure assures that the load on sealing faces are balanced. The springs are all adjustable and have long life-time. This component has a simple structure and high reliability.

结构特点: 单端面、多弹簧、平衡型、任意旋向。多弹簧布置，端面负荷均匀；弹簧比压可根据介质压力调整，寿命更长；组合安装，结构简单，运行可靠。

Standards: HG5-754-78
符合标准: HG5-754-78

Scopes of Application: mainly used in top driven vertical type agitation equipment, as well as devices that do not have strict requirements for leakproofness, such as fermentation tanks, seeding tanks, stainless steel reaction kettles and sewage treatment devices.

应用领域: 广泛应用于化工、制药、农药、发酵、香料、味精、水处理等领域。可同立式低压反应釜、干燥机等设备配套。

Inner Diameter: 30 mm to 180 mm
规格范围: 30 mm to 180 mm

Materials

Rotary Ring Face: Carbon/SiC/TC
Stationary Ring Face: SiC/TC
Elastomers: Viton/PTFE
Springs: SS304/SS316
Metal Parts: SS304/SS316

材料

旋转环端面: 石墨/碳化硅/碳化钨
静止环端面: 碳化硅/碳化钨
辅助密封: 氟橡胶/聚四氟乙烯
弹簧: SS304/SS316
金属部件: SS304/SS316

Operation Parameters

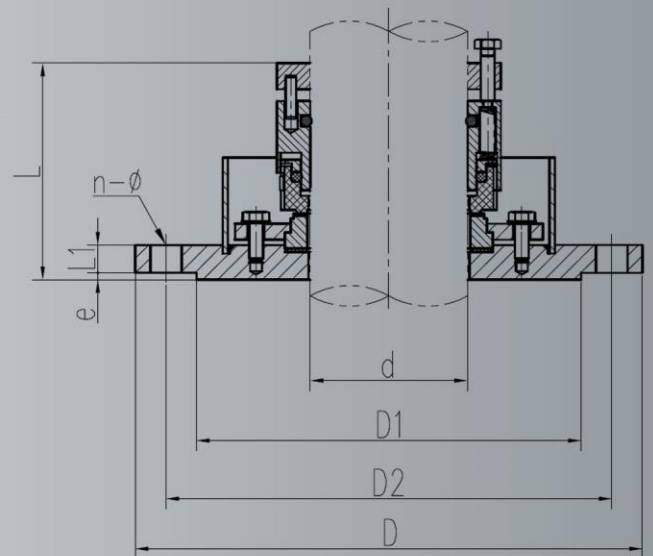
Pressure: - 0.1 ~ 0.6 MPa
Temperature: - 40 ~ 180 °C
Linear Speed: ≤ 2 m/s

运行参数

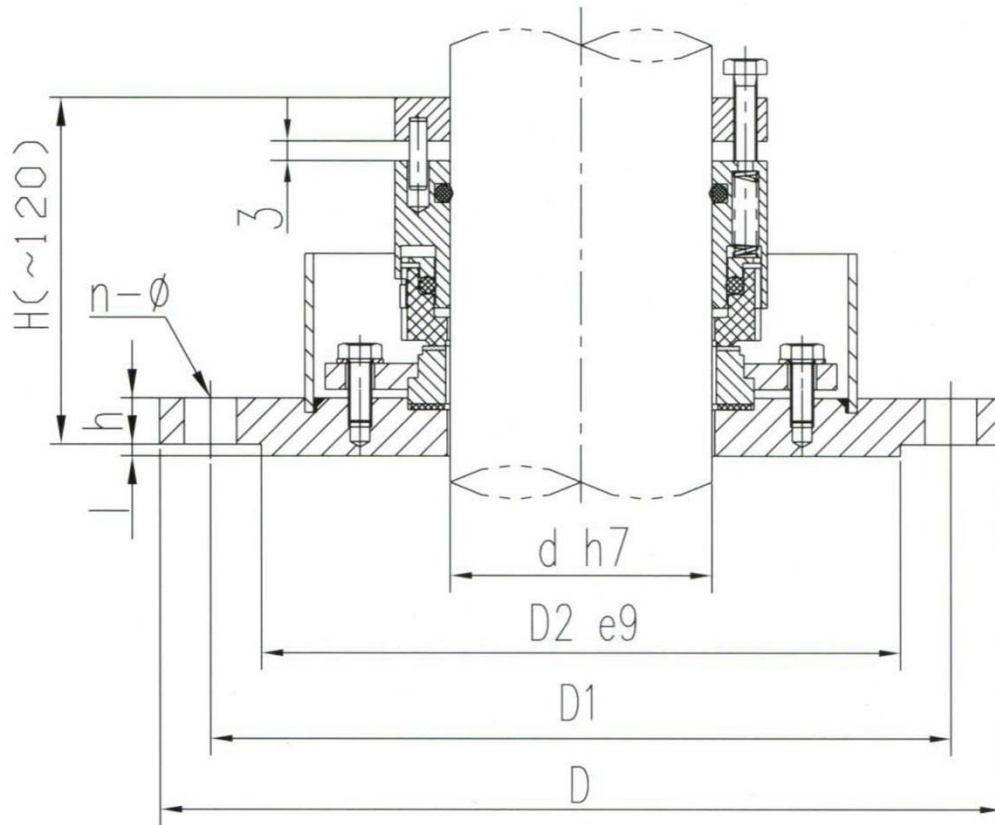
压力: - 0.1 ~ 0.6 MPa
温度: - 40 ~ 180 °C
线速度: ≤ 2 m/s

Mediums: oil, water, weak acid and alkali.

适用介质: 水、油、弱酸、弱碱、高分子悬浮液。



204B Mechanical Seal Dimension Chart - 204B型机械密封尺寸对照表



For connectors matching HG5-748-78

d	D	D1	D2	h	l	n-Φ
30	185	150	116	18	4	4-Φ18
40	205	170	135	18	4	4-Φ18
50	235	200	164	18	4	8-Φ18
60	235	200	164	18	4	8-Φ18
65	235	200	164	18	4	8-Φ18
70	260	225	188	18	4	12-Φ18
80	260	225	188	18	4	12-Φ18
85	290	255	220	20	4	12-Φ18
90	290	255	220	20	4	12-Φ18
95	290	255	220	20	4	12-Φ18
100	315	280	245	20	4	12-Φ18
110	315	280	245	20	4	12-Φ18
120	315	280	245	20	4	12-Φ18
125	315	280	245	20	4	12-Φ18
130	340	300	260	20	4	12-Φ18
140	370	320	280	20	4	12-Φ18
150	370	320	280	24	4	12-Φ23
160	390	350	300	24	4	12-Φ23
170	405	355	312	24	4	12-Φ23
180	405	355	312	24	4	12-Φ23

For connectors matching HG2098-91

d	D	D1	D2	h	l	n-Φ
30	235	200	164	20	4.5	8-Φ18
40	235	200	164	20	4.5	8-Φ18
50	260	225	188	20	4.5	8-Φ18
60	260	225	188	20	4.5	8-Φ18
65	315	280	245	22	4.5	8-Φ18
70	315	280	245	22	4.5	8-Φ18
80	315	280	245	22	4.5	8-Φ18
85	370	335	298	24	4.5	12-Φ18
90	370	335	298	24	4.5	12-Φ18
95	370	335	298	24	4.5	12-Φ18
100	370	335	298	24	4.5	12-Φ18
110	435	395	353	24	4.5	12-Φ23
120	435	395	353	24	4.5	12-Φ23
125	435	395	353	24	4.5	12-Φ23
130	485	445	403	25	5.0	12-Φ23
140	485	445	403	25	5.0	12-Φ23
150	485	445	403	25	5.0	12-Φ23
160	485	445	403	25	5.0	12-Φ23
170	485	445	403	25	5.0	12-Φ23
180	485	445	403	25	5.0	12-Φ23



HJCK Mechanical Seal for Horizontal/Vertical Agitation Equipment, Food Processing Devices and Sterilizers HJCK型卧式/立式搅拌机机械密封

Structural Features: double end, unbalanced, multi springs.

This component has a compact structure with good compatibility and easy installation. Anti counter pressure design increases the safe if accidents happen.

1. When the sealed medium temperature is higher than 180 °C, the cooling water jacket is needed and the total installation height will need to be added by 100 mm.

2. When the pressure is bigger than 0.3 MPa, auxiliary sealing devices are required.

结构特点: 双端面, 非平衡型, 多弹簧, 任意旋向。多弹簧布置, 端面负荷均匀, 防反压设计, 提高密封在发生意外情况下的安全; 夹紧传动, 安全可靠; 集装设计, 结构紧凑, 适用范围广。

1. 当介质温度超过180 °C时须增加冷却腔, 整体安装高度增加100 mm。

2. 当压力大于等于0.3 MPa时, 须配置密封辅助装置。

Standards: HG21571-95, DIN-28138

符合标准: HG21571-95, DIN-28138

Scopes of Application: mainly used in vertical and horizontal agitators, food processing machines and sterilizers for industries such as chemical engineering, food processing, pharmacy and sewage treatment.

应用领域: 广泛应用于化工、食品、医药、污水处理等领域。
可同卧式、立式反应釜、搅拌装置、杀菌锅等配套。

Inner Diameter: 25 mm to 120 mm

规格范围: 25 mm - 120 mm

Materials

Rotary Ring Face: Carbon/SiC/TC

Stationary Ring Face: SiC/TC

Elastomers: NBR/Viton/EPDM/Aflas

Springs: SS304/SS316

Metal Parts: SS304/SS316/SS316L

材料

旋转环端面: 石墨/碳化硅/碳化钨

静止环端面: 碳化硅/碳化钨

辅助密封: 丁腈橡胶/氟橡胶/三元乙丙橡胶/Aflas

弹簧: SS304/SS316

金属部件: SS304/SS316/SS316L

Operation Parameters

Pressure: ≤ 0.6 MPa

Temperature: -10 ~ 180 °C

Linear Speed: ≤ 5 m/s

运行参数

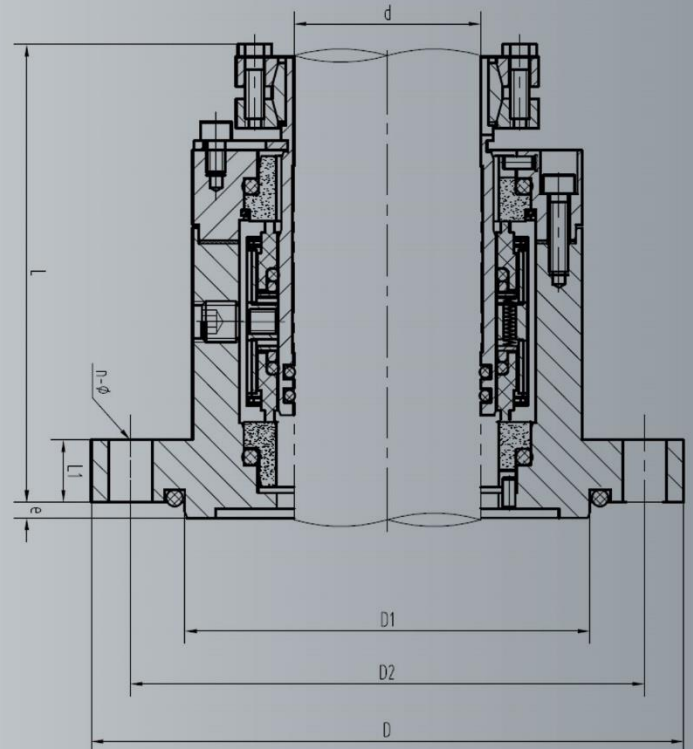
压力: ≤ 0.6 MPa

温度: -10 ~ 180 °C

线速度: ≤ 5 m/s

Mediums: water, oil, food, weak acid and alkali.

适用介质: 水、油、食品、弱酸、弱碱等介质。





2001, 2002, 2004, and 2005 Mechanical Seal for Vertical Type Agitation Equipment 2001型 (及2002, 2004, 2005型) 立式搅拌用机械密封

Structural Features: 2001 and 2002 are single ended, 2004 and 2005 are double ended, 2001 and 2002 are unbalanced, 2004 and 2005 are balanced, bearing transmission. The component is cartridge seal with easy installation. Anti counter pressure design increases the safety under emergency circumstances and accidents. The load on sealing faces are balanced.

1. When the sealed medium temperature is higher than 180 °C, the cooling water jacket is needed and the total installation height will need to be added by 100 mm.

2. When the pressure is bigger than 0.3 MPa, auxiliary sealing devices are required.
结构特点: 双端面 (2004, 2005型) 平衡型/单端面 (2001, 2002型) 非平衡型, 多弹簧, 任意旋向。多弹簧布置, 端面负荷均匀; 防反压设计, 提高密封在发生意外情况下的安全; 夹紧传动、安全可靠, 无方向性; 结构紧凑, 适用范围广; 集装结构, 安装简单, 便捷, 运行可靠。

1. 当介质温度超过180 °C时须增加冷却腔, 整体安装高度增加100 mm.

2. 当压力大于等于0.3 MPa时, 须配置密封辅助装置。

Standards: HG21571-95, DIN28138, HG/T2098-2011

符合标准: HG21571-95, DIN28138, HG/T2098-2011

Scopes of Application: mainly used in top driven vertical type agitation equipment, which does not have strict requirements for leakproofness. This component can work as an alternative to M461 (2001 and 2002) or M481 (2004 and 2005) of Burgmann. Widely used in chemical engineering, metallurgy, pharmacy, food processing, pesticides and fertilizers, and oil refining industry. This seal component works as an alternative to EagleBurgmann M481.

应用领域: 广泛应用于化工、冶炼、制药、食品、农药、化肥、炼油等领域。可同立式反应釜、干燥机、蒸发器等配套, 可替代 EagleBurgmann M481 同规格产品。

Materials

Rotary Ring Face: SiC/Carbon
Stationary Ring Face: TC/SiC
Elastomers: NBR/Viton/EPDM/PTFE/FFKM
Springs: SS304/SS316/HC-276
Metal Parts: SS304/SS316/SS316L

材料

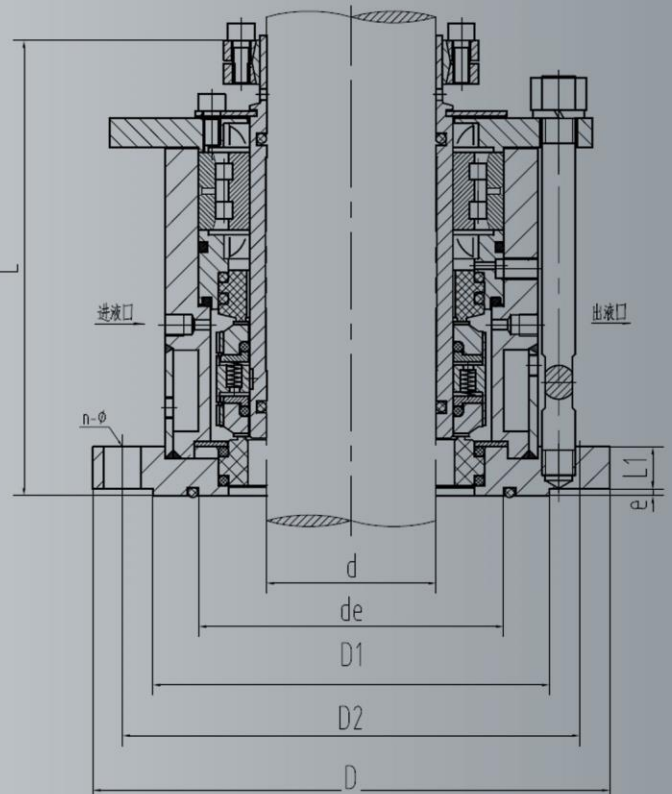
旋转环端面: 碳化硅/石墨
静止环端面: 碳化钨/碳化硅
辅助密封: 丁腈橡胶/氟橡胶/
三元乙丙橡胶/聚四氟乙烯/
全氟醚橡胶
弹簧: SS304/SS316/HC-276
金属部件: SS304/SS316/SS316L

Inner Diameter: 30 mm to 220 mm
规格范围: 30 mm - 220 mm

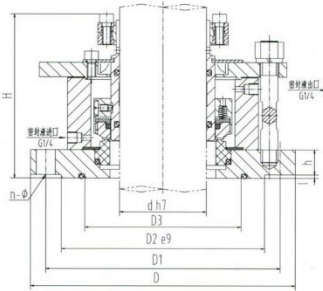
Operation Parameters

Pressure: - 0.1 ~ 1.6 MPa
Temperature: - 40 ~ 180 °C
Linear Speed: ≤ 2 m/s
运行参数
压力: - 0.1 ~ 1.6 MPa
温度: - 40 ~ 180 °C
线速度: ≤ 2 m/s

Mediums: water, oil, weak acid, weak alkali, and other normal subjects (2001 and 2002) OR flammable, explosive and poisonous gas (2004 and 2005). **适用介质:** 水、油、弱酸、弱碱、易燃、易爆、有毒气体等工况。

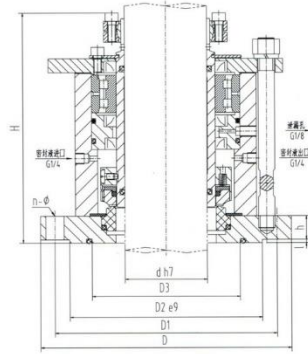


2001, 2002, 2004 and 2005 Mechanical Seal Dimension Chart - 2001, 2002, 2004和2005型机械密封尺寸对照表



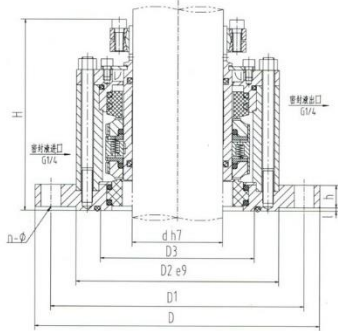
d	D	D1	D2	D3	H	h	l	n-Φ
30	175	145	110	90	135	18	5	4-Φ18
40	175	145	110	90	135	18	5	4-Φ18
50	240	210	176	135	140	20	5	8-Φ18
60	240	210	176	135	150	20	5	8-Φ18
70	240	210	176	135	160	20	5	8-Φ18
80	275	240	204	155	160	24	5	8-Φ22
90	305	270	234	190	170	24	5	8-Φ22
100	305	270	234	190	170	24	5	8-Φ22
110	330	295	260	215	195	24	5	8-Φ22
120	330	295	260	215	195	24	5	8-Φ22
130	330	295	260	215	200	24	5	8-Φ22
140	395	350	313	250	200	24	5	12-Φ22
160	395	350	313	265	205	28	5	12-Φ22
180	445	400	364	310	210	28	5	12-Φ22
200	445	400	364	310	215	28	5	12-Φ22
220	505	460	422	340	220	28	5	16-Φ22

2001



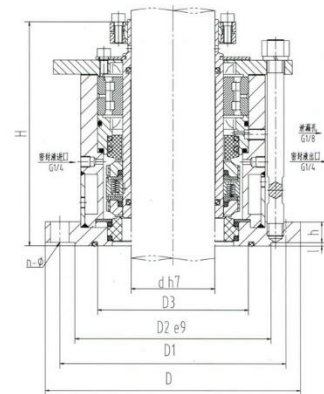
d	D	D1	D2	D3	H	h	l	n-Φ
30	175	145	110	90	215	18	5	4-Φ18
40	175	145	110	90	215	18	5	4-Φ18
50	240	210	176	135	230	20	5	8-Φ18
60	240	210	176	135	240	20	5	8-Φ18
70	240	210	176	135	280	20	5	8-Φ18
80	275	240	204	155	280	24	5	8-Φ22
90	305	270	234	190	280	24	5	8-Φ22
100	305	270	234	190	280	24	5	8-Φ22
110	330	295	260	215	290	24	5	8-Φ22
120	330	295	260	215	290	24	5	8-Φ22
130	330	295	260	215	305	24	5	8-Φ22
140	395	350	313	250	305	24	5	12-Φ22
160	395	350	313	265	310	28	5	12-Φ22
180	445	400	364	310	315	28	5	12-Φ22
200	445	400	364	310	320	28	5	12-Φ22
220	505	460	422	340	325	28	5	16-Φ22

2002



d	D	D1	D2	D3	H	h	l	n-Φ
30	175	145	110	90	135	18	5	4-Φ18
40	175	145	110	90	135	18	5	4-Φ18
50	240	210	176	135	140	20	5	8-Φ18
60	240	210	176	135	150	20	5	8-Φ18
70	240	210	176	135	160	20	5	8-Φ18
80	275	240	204	155	160	24	5	8-Φ22
90	305	270	234	190	170	24	5	8-Φ22
100	305	270	234	190	170	24	5	8-Φ22
110	330	295	260	215	195	24	5	8-Φ22
120	330	295	260	215	195	24	5	8-Φ22
130	330	295	260	215	200	24	5	8-Φ22
140	395	350	313	250	200	24	5	12-Φ22
160	395	350	313	265	205	28	5	12-Φ22
180	445	400	364	310	210	28	5	12-Φ22
200	445	400	364	310	215	28	5	12-Φ22
220	505	460	422	340	220	28	5	16-Φ22

2004



d	D	D1	D2	D3	H	h	l	n-Φ
30	175	145	110	90	215	18	5	4-Φ18
40	175	145	110	90	215	18	5	4-Φ18
50	240	210	176	135	230	20	5	8-Φ18
60	240	210	176	135	240	20	5	8-Φ18
70	240	210	176	135	280	20	5	8-Φ18
80	275	240	204	155	280	24	5	8-Φ22
90	305	270	234	190	280	24	5	8-Φ22
100	305	270	234	190	280	24	5	8-Φ22
110	330	295	260	215	290	24	5	8-Φ22
120	330	295	260	215	290	24	5	8-Φ22
130	330	295	260	215	305	24	5	8-Φ22
140	395	350	313	250	305	24	5	12-Φ22
160	395	350	313	265	310	28	5	12-Φ22
180	445	400	364	310	315	28	5	12-Φ22
200	445	400	364	310	320	28	5	12-Φ22
220	505	460	422	340	325	28	5	16-Φ22

2005



YALAN HYF Mechanical Seal for High Pressure Reaction Kettle, 8.0 MPa, up to 10 MPa 亚兰HYF型高压反应釜用机械密封

Structural Features: double end, balanced, multi springs, independent rotary direction, shift transmission and high-pressure cartridge mechanical seal. The axial dimensions are compact and the load to sealing faces are balanced. The compensation components are pre-assembled. The seal has an anti counter pressure design to increase the safety if accidents happen. This seal component is suitable for crystalized and particulate content. It needs to work with sealing water which should have 0.1 - 0.2 MPa higher pressure than the medium.

1. When the sealed medium temperature is higher than 180 °C, the cooling water jacket is needed and the total installation height will need to be added by 100 mm.

2. When the pressure is bigger than 0.3 MPa, auxiliary sealing devices are required.

结构特点: 双端面、多弹簧、平衡型、任意旋向。多弹簧布置, 端面负荷均匀, 防反压设计, 提高密封在发生意外情况下的安全; 夹紧传动, 安全可靠; 集装设计, 结构紧凑, 适用范围广。适宜输送易结晶, 含颗粒介质; 使用时需接阻封水, 阻封水压力应高于介质压力 0.1 - 0.2 MPa。

1. 当介质温度超过180 °C时须增加冷却腔, 整体安装高度增加100 mm。

2. 当压力大于等于0.3 MPa时, 须配置密封辅助装置。

Standards: DIN28138, HG21571-95

符合标准: DIN28138, HG21571-95

Scopes of Application: this component was specifically designed for high-pressure kettles. If you have requirements of using seals on high-pressure devices, contact us and we are able to design a suitable mechanical seal for you.

应用领域: 此机械密封件为亚兰密封专为高压反应釜和搅拌装置设计, 如果您有特殊设备的密封件定制需求, 欢迎联系我们, 为您的设备量身定做机械密封解决方案。

Inner Diameter: 40 mm to 200 mm
规格范围: 40 mm - 200 mm

Materials

Rotary Ring Face: SiC/TC

Stationary Ring Face: Carbon/SiC/TC

Elastomers: NBR/Viton/EPDM/PTEF/FFKM

Springs: SS304/SS316/HC-276

Metal Parts: 410S/SS304/SS316/SS316L

材料

旋转环端面: 碳化硅/碳化钨

静止环端面: 石墨/碳化硅/碳化钨

辅助密封: 丁腈橡胶/氟橡胶/

三元乙丙橡胶/聚四氟乙烯/全氟醚橡胶

弹簧: SS304/SS316/HC-276

金属部件: 410S/SS304/SS316/SS316L

运行参数

压力: ≤ 8.0 MPa

温度: $-40 \sim 320$ °C

线速度: ≤ 2 m/s

Mediums: water, oil, weak acid.

weak alkali, other normal subjects, flammable, explosive and poisonous gas.

适用介质: 水、油、弱酸、弱碱、

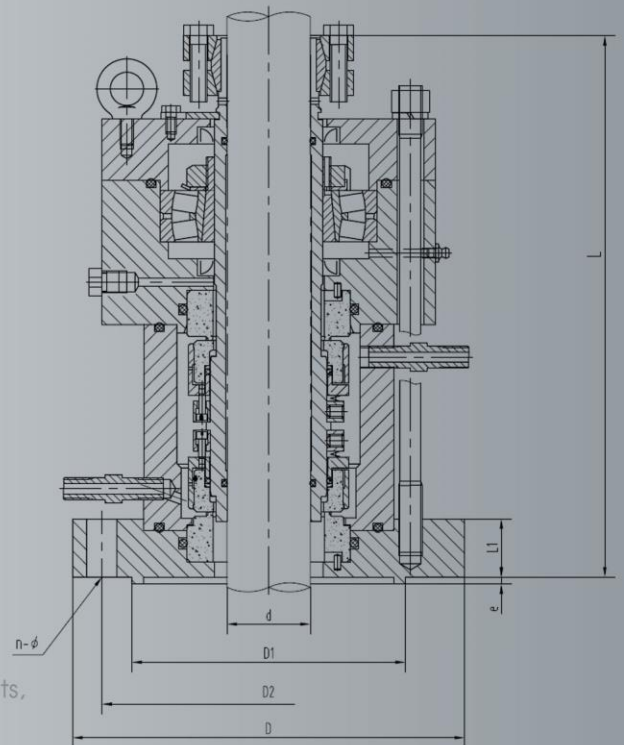
易燃、易爆、有毒气体等介质。

Operation Parameters

Pressure: ≤ 8.0 MPa

Temperature: $-40 \sim 320$ °C

Linear Speed: ≤ 2 m/s





GLF Mechanical Seal for Grundfos Sewage Pumps Grundfos污水泵用GLF型机械密封

Structural Features: double end, multiple springs, unbalanced, independent direction of rotation, bolt transmission, non-cartridge seal. The way of transmission is simple and reliable. The compensation components are pre-assembled and is easy to install. The load to the seal faces are balanced. The whole seal component is easy to adjust and the sealing performance is great and stable.
结构特点: 双端面, 多弹簧, 非平衡型, 任意旋向, 销传动。传动方式简单可靠, 补偿元件整体预装, 便于安装, 补偿性能好; 端面负荷均匀, 安装简单, 调整方便, 密封性能稳定可靠。

Standards: Specific Customization
符合标准: 特殊定制

Scopes of Application: mainly used in sewage treatment, water supply. Designed for sewage pumps and submerged pumps. This component can work as an alternative to Grundfos original seal for its sewage and water pumps.
应用领域: 广泛应用于污水处理、市政、供排水等领域。可同污水泵、潜水泵配套。

Inner Diameter: 30 mm to 140 mm
规格范围: 30 mm - 140 mm

Materials

Rotary Ring Face: SiC/TC
Stationary Ring Face: SiC/TC
Elastomers: NBR/Viton
Springs: SS304/SS316
Metal Parts: 410S/SS304/SS316

材料

旋转环端面: 碳化硅/碳化钨
静止环端面: 碳化硅/碳化钨
辅助密封: 丁腈橡胶/氟橡胶
弹簧: SS304/SS316
金属部件: 410S/SS304/SS316

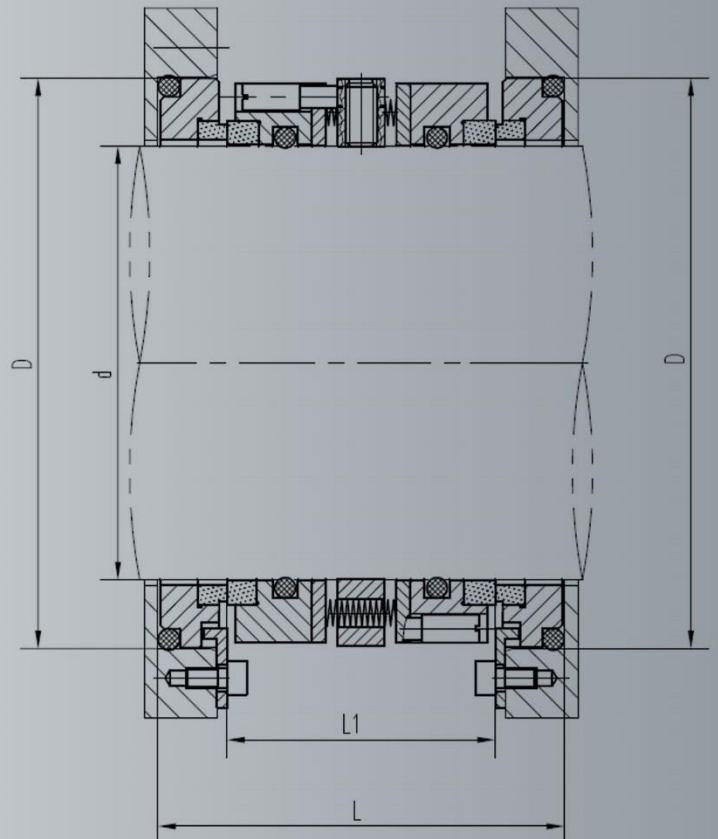
Operation Parameters

Pressure: ≤ 0.25 MPa
Temperature: $-20 \sim 100$ °C
Linear Speed: ≤ 15 m/s

运行参数

压力: ≤ 0.25 MPa
温度: $-20 \sim 100$ °C
线速度: ≤ 15 m/s

Mediums: water, oil, sewage, weak acid, weak alkali, and other weak corrosive mediums.
适用介质: 水、油、污水、弱酸、弱碱和其他弱腐蚀性介质。



GR-SA Mechanical Seal for Sewage Pumps and Paper Pulp Pumps GR-SA型机械密封

Structural Features: single end, multiple still springs with spring protection, balanced, independent direction of rotation, bolt transmission, non-cartridge seal. The springs are separated from the sealed mediums so that they will not be jammed. Multi spring structure makes sure the load on the sealing faces balanced. This seal component has a compact structure with easy installation and reliable performance.

结构特点: 单端面, 多弹簧, 平衡型, 弹簧保护, 任意旋向, 销传动。弹簧不与介质接触, 避免弹簧堵塞或被腐蚀; 多弹簧布置, 端面负荷均匀; 结构简捷, 安装简单, 运行可靠。

Standards: DIN24960, ISO3069, GB6556, EN12756
符合标准: DIN24960, ISO3069, GB6556, EN12756

Scopes of Application: mainly used in sewage pumps, immersible pumps, paper pulp pumps and other rotary devices for industries such as city construction, mining, power plants and sewage treatment. This component can work as an alternative to Gorman-Rupp and Grundfos original seal product GR-SA.

应用领域: 广泛用于市政、采矿、电厂、污水处理、制浆等领域。可同污水泵、潜水泵、纸浆泵等旋转设备配套。

Inner Diameter: 28 mm, 38 mm, 50 mm, 65 mm, 70 mm, 80 mm, 90 mm, 100 mm
规格范围: 28 mm, 38 mm, 50 mm, 65 mm, 70 mm, 80 mm, 90 mm, 100 mm

Materials

Rotary Ring Face: Carbon/SiC/TC

Stationary Ring Face: SiC/TC

Elastomers: NBR/Viton/EPDM

Springs: SS304/SS316

Metal Parts: SS304/SS316

材料

旋转环端面: 石墨/碳化硅/碳化钨

静止环端面: 碳化硅/碳化钨

辅助密封: 丁腈橡胶/氟橡胶/三元乙丙橡胶

弹簧: SS304/SS316

金属部件: SS304/SS316

Operation Parameters

Pressure: ≤ 1.6 MPa

Temperature: $-20 \sim 120$ °C

Linear Speed: ≤ 15 m/s

运行参数

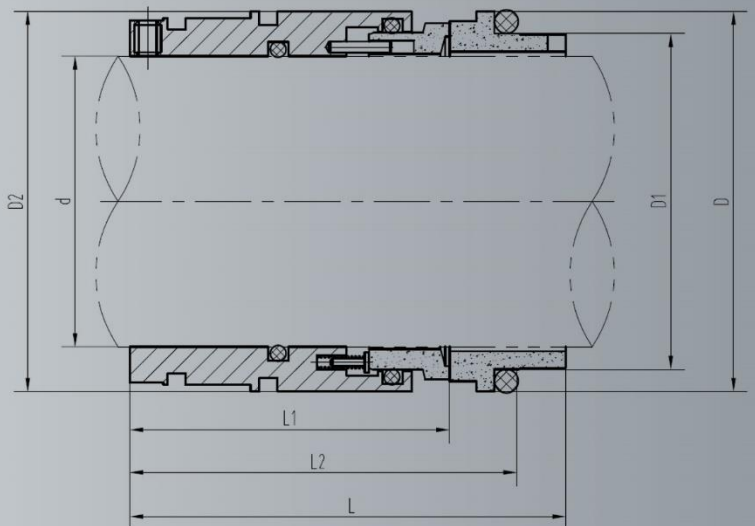
压力: ≤ 1.6 MPa

温度: $-20 \sim 120$ °C

线速度: ≤ 15 m/s

Mediums: water, oil, sewage and other weak corrosive mediums.

适用介质: 水、油、污水和其他弱腐蚀性介质。





Multiple Fully Customized Nonstandard Mechanical Seals for ITT Flygt (replacing original products of ITT Flygt) ITT Flygt水泵用定制机械密封

Structural Features: single end, unbalanced, independent direction of rotation, bolt transmission. These 3 components were fully customized for ITT Flygt sewage pumps.

结构特点: 单端面, 非平衡型, 任意旋向, 销传动。

Standards: Customized

符合标准: 定制

Scopes of Application: used within ITT Flygt pumps. For industries such as sewage treatment, city construction, water supply, and mining.

应用领域: 广泛应用于污水处理、市政、供排水、采矿等领域。可用于ITT Flygt污水泵。

Inner Diameter: 15 mm to 150 mm

规格范围: 15 mm - 150 mm

Operation Parameters

Pressure: ≤ 0.8 MPa

Temperature: $-20 \sim 120$ °C

Linear Speed: ≤ 10 m/s

运行参数

压力: ≤ 0.8 MPa

温度: $-20 \sim 120$ °C

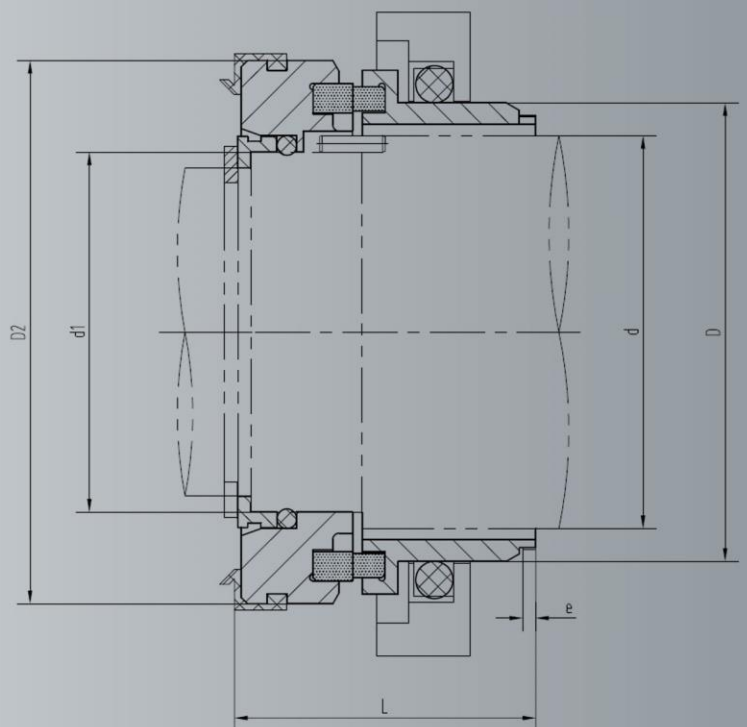
线速度: ≤ 10 m/s

Mediums: oil, water, weak acid and alkali.

适用介质: 油类、水、弱酸、弱碱等一般腐蚀性介质。

Customization: Changes of materials for getting other operating parameters are possible. Contact us with your requirements.

定制化: 如果您有任何定制化机械密封的需求, 请与我们的销售部门联系。



Seals for Punched Stainless Steel Centrifugal Pumps - 冲压不锈钢离心泵专用机械密封

CRA, AKA CRB Mechanical Seals for Grundfos Water Pumps Grundfos水泵用CR系列机械密封



Structural Features: single end, unbalanced, independent direction of rotation, cartridge shaft seals.
结构特点: 单端面, 非平衡型, 任意旋向, 集装结构。

Standards: Specifically Designed for Stamped Stainless Steel Centrifugal Pumps
符合标准: 冲压不锈钢离心泵专用

Scopes of Application: specifically designed for Grundfos water pumps. Widely used in power plants, city water supply projects, and fire control.

应用领域: 广泛应用于电厂、市政、供排水、消防等领域。
可同冲压不锈钢离心泵配套, 可替代Grundfos泵同类型产品。

Inner Diameter: 10 mm, 12 mm, 14 mm, 15 mm, 16 mm, 18 mm, 20 mm, 22 mm, 24 mm, 25 mm, 28 mm, 30 mm, and 32 mm

规格范围: 10 mm, 12 mm, 14 mm, 15 mm, 16 mm, 18 mm, 20 mm, 22 mm, 24 mm, 25 mm, 28 mm, 30 mm, 32 mm

Materials

Rotary Ring Face: Carbon/SiC/TC
Stationary Ring Face: Carbon/SiC/TC
Elastomers: Viton/EPDM
Springs: SS304/SS316
Metal Parts: SS304/SS316

材料

旋转环端面: 石墨/碳化硅/碳化钨
静止环端面: 石墨/碳化硅/碳化钨
辅助密封: 氟橡胶/三元乙丙橡胶
弹簧: SS304/SS316
金属部件: SS304/SS316

Operation Parameters

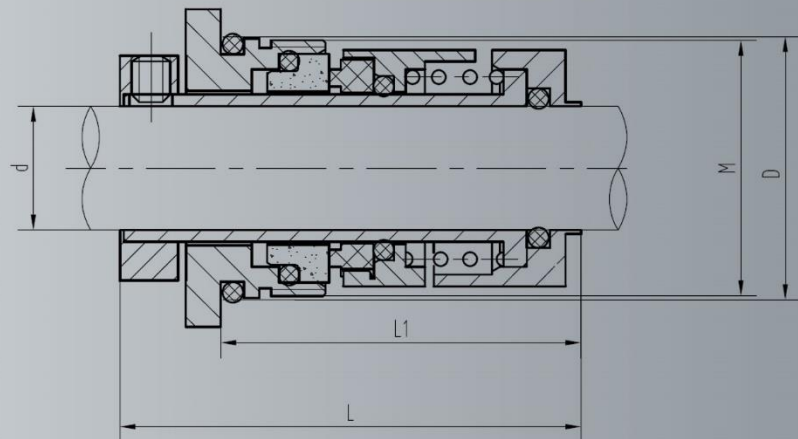
Pressure: ≤ 1.6 MPa
Temperature: $-20 \sim 150$ °C
Linear Speed: ≤ 10 m/s

运行参数

压力: ≤ 1.6 MPa
温度: $-20 \sim 150$ °C
线速度: ≤ 10 m/s

Mediums: oil, water, weak acid and alkali and other corrosive mediums.

适用介质: 油类、水、弱酸、弱碱等一般腐蚀性介质。





Oil Seal, AKA Floating Oil Seal, an Alternative to Framework Oil Seal 浮动油封

Description: The sealing rings are the main elements for sealing and also have compensation as springs. This seal will not wear out the shaft and has a short axial dimension. It has long life-time which is several times longer than traditional oil seals. The performance is stable and the seal is easy to install. It is a good option for replacing normal oil seals.

产品描述：密封圈即起密封作用，也起弹簧补偿作用；对轴不产生磨损；轴向尺寸短，寿命长，是普通油封的数倍；运行稳定可靠，安装简单。可替代传统油封。

Inner Diameter: 35 mm to 300 mm
规格范围：35 mm - 300 mm

Operating Parameters

Pressure: 0 ~ 0.2 MPa
Temperature: -20 ~ 90 °C
Linear Speed: ≤ 5 m/s

运行参数

压力：0 ~ 0.2 MPa
温度：-20 ~ 90 °C
线速度：≤ 5 m/s

Bearing Isolator, Bearing Protector 轴承隔离器

Applications:

Pumps · Motors · Spindles ·
Gear Boxes · Compressors ·
Turbines · Fans



Introducing YALAN Mechanical Seal for Bearing Protection

Mechanical Seal Provides Positive Sealing

保护轴承，用于水泵、电机、齿轮箱、风机、
减速箱等设备

与我们的销售人员联系，以获得更多信息

FULLY CUSTOMIZABLE ACCORDING TO
THE ACTUAL OPERATING CONDITIONS
CONTACT US WITH YOUR DEVICE DIMENSIONS

YALAN Cartridge Mechanical Seal Collection / 亚兰集装式密封



1D56-H75



KTL



ZB



FLGS



YLPB



KHJ



TJL



BB174



LP-D



KGJ



SBB



2004



224TZ



261



318



UU7002J

YALAN Bellow Mechanical Seal Collection / 亚兰波纹管机械密封



680M



MG12



MG13



MG1



CR-B



DWB2



DWB1



DBM-B



DBM-1



C65



C50



2100



128



609



128M



301

YALAN Double Mechanical Seal Collection / 亚兰双机械密封



UU1001



YL208



U208



SDM



NDM



MN208



M74-D



KYB-B



JCS2



I105-I105



FR



224ZJ



224TM



204



171CL-171CK



07J-07D-07J

Quality Warranty, Service Terms and Conditions 英文质保与服务条款（仅海外）

Product Quality Warranty

YALAN Seals (Anhui Yalan Seal Component Co., Ltd.) assures the quality of products according to its orders and contracts with clients and make the following commitments.

1. All products designed and manufactured by YALAN Seals will strictly follow the detailed specifications and requirements written down within orders and contracts as well as related national standards.

2. There would be strict tests and control against all sorts of raw materials, internal and external components before they come into YALAN Seals' production facilities. This would make sure the quality of every component from any other resources which will be made up as part of final products to be under the full control of YALAN Seals.

3. All manufacturing techniques utilized mass production and different status of products will be overwatched by YALAN Seals' QA department with 3 common procedures, routing inspection, finished product inspection and predelivery test, to make sure every step of production would be under the full control of YALAN Seals.

4. Full and detailed instruction documents (as well as any other necessary documents) would be provided to clients for detailed product information such as parameters, installation, and operation.

5. If there is any situation caused by any product issue within the warranty time, YALAN Seals would resolve the issue first for the client to ensure that operations from clients' sides would not be affected due to any kind of product problems of our side, before considering the judgment to the final responsibility. If it is the problem of YALAN Seals' products, the company would be willing to take full responsibility to repair or replace the products sold to the client, for free.

6. If there is any damage caused by the shipment of YALAN Seals' products, the company would repair or replace the damaged products according to clients' requirements as soon as possible, for free, to ensure our clients' satisfaction.

7. While delivering the products, if there is any missing part or component found in the delivery, YALAN Seals will autocomplete the missing parts in the shortest time.

Operating Hours

1. For Pump Mechanical Seals: JB/T1472-2013
If the selection, installation, and operation of the products are all fully correct - when the sealed mediums are clean water, oil or something similar, the lifetime operating period is 1 year (8,000 operating hours); when the sealed mediums are corrosive, the lifetime operating period is more than half year (4,000 operating hours); if the operating conditions are crucially harsh then both these 2 kinds of operating hours may not be able to be guaranteed.

2. For Kettle Mechanical Seals: HG/T2269-2003
If the final operating machine is rationally constructed and YALAN's seals are installed correctly - when the sealed mediums are neutral or weakly corrosive gases or liquids, the lifetime operating period is 8,000 operating hours; when the sealed mediums are highly corrosive or volatile gases, the lifetime operating period is 4,000 operating hours; very special situations are not included in the 2 results above.

3. For Submerged Pump Mechanical Seals: JB/T5966-2009
If the selection, installation, and operation of the products are all fully correct - if the axis diameter is from 10 to 50 mm, the lifetime operating period is no less than 4,000 hours; if the axis diameter is from 50 to 200 mm, the lifetime would be no less than 8,000 hours.

Quality Warranty, Service Terms and Conditions **英文质保与服务条款（仅海外）**

4. For Paper Pulp Pump Mechanical Seals:
HG/T4114-2009

If the selection, installation, and operation of the products are all fully correct - the lifetime operating period of the mechanical seals is 8,000 hours; if the mediums are corrosive and tend to crystallize, the lifetime would be 8,000 hours.

5. For Boiler Pump Mechanical Seals: JB/T6614-2011

If the selection, installation, and operation of the products are all fully correct - the lifetime operating period of the mechanical seals is 8,000 hours.

6. For Mechanical Seals with Rubber Bellows:

JB/T6616-2011

If the final operating machine is rationally constructed and YALAN's seals are installed correctly - when the sealed mediums are clean water, oil and something similar, the lifetime operating period of the mechanical seals is 4,000 hours; if the operating conditions are crucially harsh then this operating period may not be able to be guaranteed.

7. For Acid Proof Pump Mechanical Seals:

JB/T7372-2011

If the selection, installation, and operation of the products are all fully correct - the lifetime operating period of the mechanical seals is 4,000 hours; if the operating conditions are crucially harsh then this operating period may not be able to be guaranteed.

8. For Lye Pump Mechanical Seals: JB/T7371-2011

If the selection, installation, and operation of the products are all fully correct - the lifetime operating period of the mechanical seals is 4,000 hours; if the operating conditions are crucially harsh then this operating period may not be able to be guaranteed.

9. For Mechanical Seals with Welded Metal Bellows:
JB/T8732-2008

If the selection, installation, and operation of the products are all fully correct and the whole system

and machine are both running well - the lifetime operating period of the mechanical seals is 8,000 hours; if the operating conditions are crucially harsh then this operating period may not be able to be guaranteed.

10. For Rotary Connectors: JB/T8725-2013

If the selection, installation, and operation of the products are all fully correct - the lifetime operating period of the mechanical seals is 8,000 hours; under special operating conditions, this number is not to be guaranteed.

11. For Dry Gas Seals: JB/T8725-2012

If the devices are running well and the operating techniques are steady, the dry gas seals used in compressors would have at least 3 years of operating period and the dry gas seals for pumps would work for at least 2 years.

Before-and-after-sales Service Terms

To strengthen our quality management, YALAN Seals follows ISO9001:2008 certificated management system strictly to have a full control of all elements of the final product quality. With our creed and strategy of "reliable and affordable seal solution" and "always with innovations", we seriously guarantee the terms below as our before-and-after-sales service details.

1. Strictly follow the orders (contracts): qualified products with precise prices and on-time delivery.

2. Strictly follow the orders (contracts): strict tests and control against all sorts of raw materials and all internal and external components before they come into YALAN Seals' production facilities. YALAN Seals would make sure all processes such as purchasing, manufacturing, and testing under full control and none of the unqualified products would be able to leave the factory.

3. Full and detailed instruction documents (as well

Quality Warranty, Service Terms and Conditions 英文质保与服务条款（仅海外）

as any other necessary documents) would be provided to clients for detailed product information such as parameters, installation, and operation.

4. As a before-sales service, YALAN Seals, as a mechanical seal expert, is able to assist clients with the selection of products, materials, and solutions, according to the situation and requirements of different clients.

5. According to requirements from our clients, YALAN is able to send a technical team to install and test our seal products, with an extra cost of door to door service.

6. YALAN Seals will provide training to the installation and repair people of clients.

7. If there is any situation caused by any product issue within the warranty time, YALAN Seals would resolve the issue first for the client to ensure that operations from clients' sides would not be affected due to any kind of product problems of our side, before considering the judgment to the final responsibility. If it is the problem of YALAN Seals' products, the company would be willing to take full responsibility to repair or replace the products sold to the client, for free.

8. The product quality feedback from clients will be responded within 2 hours after receiving it (during normal business hours) and repaired/replaced products will be shipped out ASAP to make sure clients are satisfied.

9. After-sales department will follow up with every client and establish a document for every one of them to collect any requirement in real time.

Overseas Sales and Support Team Contacts

Overseas Sales Manager

Mr. Jimmy Wong
Mobile: +86-18356957562
Skype: jimmyhuang1986
Email: contact@yalan-seals.com

Overseas Sales Manager

Ms. Elven Zhang
Mobile: +86-15056947430
Email: elven.zhang@yalan-seals.com

Overseas Marketing Director

Ms. Lynn He
Mobile: +86-17775378093
Email: lynn.he@yalan-seals.com

Customer Care Manager

Mr. Zonghui Jiang
Mobile: +86-13615510954
Email: zonghui.jiang@yalan-seals.com

Workshop / 生产车间



Lathe Processing / 车加工



CNC Lathe Processing / 数控车加工



Milling Processing / 铣加工



Production Center / 加工中心

Workshop / 生产车间



车加工

Lathe Processing



线切割加工

Wire EDM



水磨工序

Grinding Processing



金属波纹管冲压

Metal Bellow Punching

YALAN Test and Research Center 亚兰产品检测和研究中心



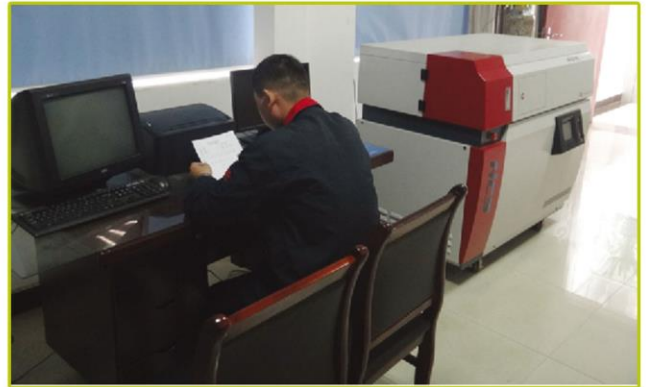
Mechanical Seals for Kettles Testing Platform
釜用机械密封测试平台



Mechanical Seals for Pumps Testing Platform
泵用机械密封测试平台



P&C Laboratory
理化实验室



Spectrographic Laboratory
光谱实验室





yalanseals

MECHANICAL SEAL EXPERT
亚兰密封件 机械密封专家

Located in **China**,
立足**中国**

serving **the world**.
服务**世界**

HQ Office & South China Operating Center

总部及华南
运营中心

📍 21st Floor, Lanjing International Building

City of Hefei, Anhui, China

☎ Landline: +86-551-64287402

📱 Mobile: +86-18356957562
+86-17775378093

📠 Fax: +86-551-64247831

✉ Email: contact@yalan-seals.com

🌐 Website: www.yalan-seals.com

💬 Skype: jimmyhuang1986

North China Operating & Support Center

华北运营与
支持中心

📍 Suite 202, Building 1, Gongshang

Jiayuan, City of Shijiazhuang,
Hebei, China

☎ Landline: +86-311-85117912

Factory 生产基地

📍 No. 19 Industrial Park of Dingyuan,
City of Chuzhou, Anhui, China

☎ Landline: +86-550-4395566/4297918

📠 Fax: +86-550-4297966

🌐 Website: www.yalanmf.cn

This document will be keeping updated.
Stay tuned with our latest product catalog.

产品信息不断更新中，请与我们联系获取最新的产品详情和价格。

© 1993 - 2018 YALAN Seal Component Co., Ltd. All Rights Reserved.